

TOMCO Pneumatic SINGLE SHUT-OFF

1/4" BASIC SIZE

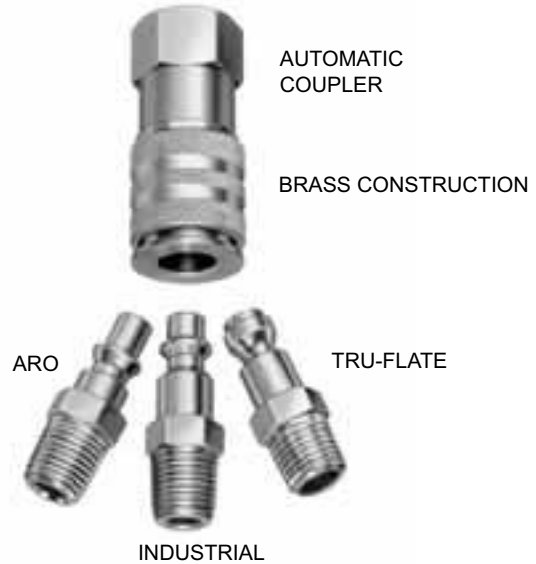
Working Range:		
Maximum Operating Pressure; To 150 psig		
Temperature: -40° to +225° F		
Pressure Drop:		
Inlet	5 psig	10 psig
100 psig	25 scfm	34 scfm

FEMALE THREAD	Catalog No.
1/4" NPSF	UC2-16

MALE THREAD	Catalog No.
1/4" NPT	UC2-15
3/8" NPTF	UC2-20

UNIVERSAL SERIES

ARO, TRU-FLATE, INDUSTRIAL INTERCHANGE



TOMCO Pneumatic SINGLE SHUT-OFF OR STRAIGHT THROUGH

1/8" BASIC SIZE

Working Range:		
Maximum Operating Pressure; To 250 psig		
Temperature: -40° to +225° F		
Pressure Drop:		
Inlet	5 psig	10 psig
100 psig	16 scfm	23 scfm

SERIES SC

RECTUS SERIES 21 INTERCHANGE

MAX ACROSS FLATS ONLY 5/8"



FEMALE THREAD	Catalog No.	Catalog No.
	<u>STEEL</u>	<u>BRASS</u>
		(valved)
1/8" NPTF	SCP-11	SCC-11B
1/4" NPTF	SCP-16	SCC-16B
		<u>BRASS</u>
		(Straight Through)
		SCC-11BLV
		SCC-16BLV

MALE THREAD	Catalog No.	Catalog No.
	<u>STEEL</u>	<u>BRASS</u>
		(valved)
1/8" NPTF	SCP-10	SCC-10B
1/4" NPTF	SCP-15	SCC-15B
		<u>BRASS</u>
		(Straight Through)
		SCC-10BLV
		SCC-15BLV

TOMCO Universal Safety Couplers 1/4" BODY SIZE

Automatic exhausting air couplers with universal multiple interchange features.

Features:

TOMCO UNIVERSAL SAFETY COUPLERS are exhaust type couplers designed to exhaust air pressure prior to disconnection. This allows for coupling and uncoupling at zero pressure which greatly reduces the force required to couple and uncouple and minimizes the possibility of hose whip. The black sleeve acts as an integral shut-off valve which exhausts down stream air and includes a mechanical sleeve lock to prevent accidental disconnect when the air flow is opened. The proven six ball locking system resists wear and provides positive connection.

U2 Working Range:

Maximum Operating Pressure;
To 200 psig

Temperature: -20° to +200° F

Pressure Drop:

Inlet	5 psig	10 psig
100 psig	25 scfm	34 scfm

FEMALE THREAD	Catalog No.
1/4" NPSF	U2-16
MALE THREAD	Catalog No.
1/4" NPTF	U2-15
HOSE STEM	Catalog No.
1/4" Hose I.D.	U2-17
3/8" Hose I.D.	U2-22

U3 Working Range:

Maximum Operating Pressure;
To 200 psig

Temperature: -20° to +200° F

Pressure Drop:

Inlet	5 psig	10 psig
100 psig	45 scfm	60 scfm

FEMALE THREAD	Catalog No.
3/8" NPSF	U3-21

Interchanges with:

- 3/8" Industrial interchange
- 3/8" ARO 310
- Parker Truflate 10 Series 3/8"

SERIES U2

UNIVERSAL SAFETY COUPLER

Tomco U2 couplers provide a universal 4 way interchange combined with push-to-connect exhaust style action. **The U3, 3/8 coupler is a universal 3 way interchange.**

To couple, push the plug into the coupler. The gold locking sleeve automatically locks the plug in place. The black valve sleeve is then slid to open air flow and automatically engage the sleeve lock. To disconnect, slide the black sleeve back to shut off air flow and exhaust downstream air. Then retract the gold sleeve to disconnect.

Construction: Anodized aluminum with nitrile seals.

Interchanges with:

- 1/4" Industrial interchange
- 1/4" ARO 210
- Parker Truflate 10 Series 1/4"
- Lincoln



SERIES U3

UNIVERSAL SAFETY COUPLER



TOMCO Pneumatic SINGLE SHUT-OFF

1/4" BASIC SIZE

SERIES 100 & A100

ARO 210 INTERCHANGE

Working Range:

Maximum Operating Pressure;
To 250 psig

Temperature: -40° to +225° F

Pressure Drop:

Inlet	5 psig	10 psig
100 psig	25 scfm	34 scfm



PLUG



AUTOMATIC COUPLER



High Performance Manual Coupler
With 6 Locking Balls



AIRMATE I.D.

No rings on
face=ARO
Interchange

FEMALE THREAD	Catalog No.	Catalog No.	Catalog No.
1/8" NPTF	302	103	A103
1/4" NPTF	300	100	A100
3/8" NPTF	-	106	A106

MALE THREAD	Catalog No.	Catalog No.	Catalog No.
1/8" NPTF	202	102	A102
1/4" NPTF	200	101	A101
3/8" NPTF	-	107	A107

HOSE STEM	Catalog No.	Catalog No.	Catalog No.
1/4" HOSE I.D.	400	104	A104
5/16" HOSE I.D.	506	108	A108
3/8" HOSE I.D.	500	105	A105

HOSE I.D. X HOSE O.D.	Catalog No.	Catalog No.
1/4" X 1/2"	B3-100	AB3-100
1/4" X 9/16"	B5-100	AB5-100
1/4" X 5/8"	B7-100	AB7-100
1/4" X 11/16"	B9-100	AB9-100
1/4" X 3/4"	B11-100	AB11-100
5/16" X 9/16"	C5-100	AC5-100
5/16" X 5/8"	C7-100	AC7-100
5/16" X 11/16"	C9-100	AC9-100
3/8" X 5/8"	D7-100	AD7-100
3/8" X 11/16"	D9-100	AD9-100
3/8" X 3/4"	D11-100	AD11-100
3/8" X 13/16"	D13-100	AD13-100
3/8" X 7/8"	D15-100	AD15-100

TOMCO Pneumatic SINGLE SHUT-OFF

SERIES 180, M180, A180

INDUSTRIAL INTERCHANGE

1/4" BASIC SIZE

Working Range:
Maximum Operating Pressure;
To 250 psig
Temperature: -40° to +225° F
Pressure Drop:
Inlet 5 psig 10 psig
100 psig 26 scfm 37 scfm



PLUG



MIL-C-4109
AUTOMATIC COUPLER



MANUAL COUPLER



High Performance Manual
Coupler With 6 Locking Balls



AIRMATE I.D.
2 rings
on face=
Industrial
Interchange

FEMALE THREAD	Catalog No.	Catalog No.	Catalog No.	Catalog No.
1/8" NPTF	1803	183*	M183*	A183
1/4" NPTF	1805*†•	184*†	M184*†•	A184
3/8" NPTF	1807*	185*	M185*	A185

MALE THREAD	Catalog No.	Catalog No.	Catalog No.	Catalog No.
1/8" NPTF	1802	180	M180	A180
1/4" NPTF	1804*†•	181*†	M181*†•	A181
3/8" NPTF	1806	182*	M182*	A182

HOSE STEM	Catalog No.	Catalog No.	Catalog No.	Catalog No.
1/4" HOSE I.D.	1824	186*	M186	A186
5/16" HOSE I.D.	1827	188	M188	A188
3/8" HOSE I.D.	1826	187*	M187	A187
1/4" HOSE I.D. (Push-On)	1850	189	M189	A189
3/8" HOSE I.D. (Push-On)	1860	190	M190	A190

REUSABLE HOSE CLAMP	Catalog No.	Catalog No.	Catalog No.	Catalog No.
HOSE I.D. X HOSE O.D.				
1/4" X 1/2"	TB3-1	B3-1	MB3-1	
1/4" X 9/16"	TB5-1	B5-1	MB5-1	
1/4" X 5/8"	TB7-1•	B7-1	MB7-1•	
1/4" X 11/16"	TB9-1	B9-1	MB9-1	
1/4" X 3/4"	TB11-1	B11-1	MB11-1	
5/16" X 9/16"	-	C5-1	MC5-1	
5/16" X 5/8"	-	C7-1	MC7-1	
5/16" X 11/16"	-	C9-1	MC9-1	
3/8" X 5/8"	TD7-1	D7-1	MD7-1	
3/8" X 11/16"	TD9-1	D9-1	MD9-1	
3/8" X 3/4"	TD11-1	D11-1	MD11-1	
3/8" X 13/16"	TD13-1	D13-1	MD13-1	
3/8" X 7/8"	TD15-1	D15-1	MD15-1	

Sleeve lock option available on above couplers
(except AirMate). See details in TOMCO Price List.

* Available in Brass...refer to current price list.

• Available in Stainless. - Suffix 303

† Available with British parallel pipe thread. - Suffix BS

TOMCO Pneumatic SINGLE SHUT-OFF

SERIES 2100 & A2100

PARKER (TRU-FLATE) INTERCHANGE

1/4" BASIC SIZE

Working Range:

Maximum Operating Pressure;
To 250 psig

Temperature: -40° to +225° F

Pressure Drop:

Inlet	5 psig	10 psig
100 psig	25 scfm	34 scfm



PLUG



AUTOMATIC COUPLER



High Performance Manual Coupler
With 6 Locking Balls



AIRMATE I.D.

One ring
face=Truflate
Interchange

FEMALE THREAD	Catalog No.	Catalog No.	Catalog No.
1/8" NPTF	2153	2183	A2183
1/4" NPTF	2155	2184	A2184
3/8" NPTF	2157	2185	A2185

MALE THREAD	Catalog No.	Catalog No.	Catalog No.
1/8" NPTF	2152	2180	A2180
1/4" NPTF	2154*	2181	A2181
3/8" NPTF	2156	2182	A2182

HOSE STEM	Catalog No.	Catalog No.	Catalog No.
1/4" HOSE I.D.	2164	2186	A2186
5/16" HOSE I.D.	-	2187	A2187
3/8" HOSE I.D.	2166	2188	A2188
1/4" HOSE I.D. (Push On)	2150	2189	A2189
3/8" HOSE I.D. (Push On)	2160	2190	A2190

HOSE I.D. X HOSE O.D.	Catalog No.	Catalog No.
1/4" X 1/2"	B3-2100	
1/4" X 9/16"	B5-2100	
1/4" X 5/8"	B7-2100	
1/4" X 11/16"	B9-2100	
1/4" X 3/4"	B11-2100	
5/16" X 9/16"	C5-2100	
5/16" X 5/8"	C7-2100	
5/16" X 11/16"	C9-2100	
3/8" X 5/8"	D7-2100	
3/8" X 11/16"	D9-2100	
3/8" X 3/4"	D11-2100	
3/8" X 13/16"	D13-2100	
3/8" X 7/8"	D15-2100	

TOMCO Pneumatic SINGLE SHUT-OFF

SERIES 1100

LINCOLN INTERCHANGE

1/4" BASIC SIZE

Working Range:
Maximum Operating Pressure;
To 250 psig
Temperature: -40° to +225° F
Pressure Drop:







Inlet	5 psig	10 psig
100 psig	23 scfm	32 scfm



PLUG



AUTOMATIC COUPLER

FEMALE THREAD	Catalog No.	Catalog No.
1/4" NPT	1110 	1100 
MALE THREAD		
1/8" NPT	1106 	1102 
1/4" NPT	1109 	1101 

FOR STANDARD COUPLING MATERIALS, SEE PAGE 40.

TOMCO Pneumatic SINGLE SHUT-OFF

SERIES TL

SCHRADER INTERCHANGE

PUSH TO CONNECT - TWIST SLEEVE TO DISCONNECT

1/4" BASIC SIZE

Working Range:
Maximum Operating Pressure;
To 250 psig
Temperature: -40° to +225° F
Pressure Drop:


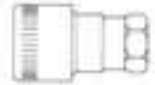

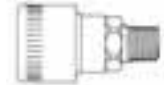
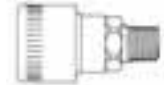
Inlet	5 psig	10 psig
100 psig	25 scfm	34 scfm



PLUG



AUTOMATIC COUPLER

FEMALE THREAD	Catalog No.	Catalog No.
1/4" NPTF	TLP-16 	TLC-16 
MALE THREAD		
1/4" NPTF	TLP-15 	TLC-15 
3/8" NPTF	-	TLC-20 

TOMCO Pneumatic SINGLE SHUT-OFF

SERIES T4000, T400, PT400

INDUSTRIAL INTERCHANGE

3/8" BASIC SIZE

Working Range:
Maximum Operating Pressure;
To 250 psig
Temperature: -40° to +225° F
Pressure Drop:

Inlet	5 psig	10 psig
	100 scfm	49 scfm
		67 scfm



PLUG



AUTOMATIC COUPLER



MANUAL COUPLER



MANUAL COUPLER

FEMALE THREAD	Catalog No.	Catalog No.	Catalog No.	Catalog No.
1/4" NPTF	T41	T4000	T400	PT400
3/8" NPTF	T43	T4200	T420	PT420
1/2" NPTF	T45	T4400	T440	PT440

MALE THREAD	Catalog No.	Catalog No.	Catalog No.	Catalog No.
1/8" NPTF	T38	-	-	-
1/4" NPTF	T40	T4100	T410	PT410
3/8" NPTF	T42	T4300	T430	PT430
1/2" NPTF	T44	T4500	T450	PT450

HOSE STEM	Catalog No.	Catalog No.	Catalog No.	Catalog No.
1/4" HOSE I.D.	T46	T4600	T460	PT460
5/16" HOSE I.D.	T47	-	-	-
3/8" HOSE I.D.	T48	T4800	T480	PT480
1/2" HOSE I.D.	T49	T4900	T490	PT490
3/8" HOSE I.D. (Push-On)	T48P	T4800F	T480P	PT480P

REUSABLE HOSE CLAMP	Catalog No.	Catalog No.	Catalog No.	Catalog No.
HOSE I.D. X HOSE O.D.				
5/16" X 9/16"	TC5-4	C5-4	C5-40	PC5-40
5/16" X 5/8"	TC7-4	C7-4	C7-40	PC7-40
5/16" X 11/16"	TC9-4	C9-4	C9-40	PC9-40
3/8" X 9/16"	TD5-4	D5-4	D5-40	PD5-40
3/8" X 5/8"	TD7-4	D7-4	D7-40	PD7-40
3/8" X 11/16"	TD9-4	D9-4	D9-40	PD9-40
3/8" X 3/4"	TD11-4	D11-4	D11-40	PD11-40
3/8" X 13/16"	TD13-4	D13-4	D13-40	PD13-40
3/8" X 7/8"	TD15-4	D15-4	D15-40	PD15-40
1/2" X 7/8"	TP15-4	P15-4	P15-40	PP15-40
1/2" X 15/16"	TP17-4	P17-4	P17-40	PP17-40
1/2" X 1"	TP19-4	P19-4	P19-40	PP19-40

Sleeve lock option available on above couplers. See TOMCO Price List.

TOMCO Pneumatic SINGLE SHUT-OFF

SERIES PT400

PARKER (TRU-FLATE) INTERCHANGES

3/8" BASIC SIZE

Working Range:
Maximum Operating Pressure;
To 250 psig
Temperature: -40° to +225° F



PLUG



MANUAL COUPLER

FEMALE THREAD	Catalog No.		Catalog No.	
1/4" NPTF 3/8" NPTF 1/2" NPTF	PT41 PT43 -		PT400 PT420 PT440	
MALE THREAD				
1/4" NPTF 3/8" NPTF 1/2" NPTF	PT40 PT42 -		PT410 PT430 PT450	
HOSE STEM				
1/4" HOSE I.D. 3/8" HOSE I.D. 1/2" HOSE I.D. 3/8" HOSE I.D. (Push-On)	- PT48 - PT48P		PT460 PT480 PT490 PT480P	

1/2" BASIC SIZE

Working Range:
Maximum Operating Pressure;
To 250 psig
Temperature: -40° to +225° F
Pressure Drop:
Inlet 5 psig 10 psig
100 psig 72 scfm 99 scfm

SERIES T500 COUPLERS & PLUGS INTERCHANGE WITH
1/2" BASIC SIZE TRUFLATE COUPLERS & PLUGS



PLUG



MANUAL COUPLER

FEMALE THREAD	Catalog No.		Catalog No.	
3/8" NPTF 1/2" NPTF 3/4" NPTF	T53 T55 T57		T500 T520 T540	
MALE THREAD				
1/4" NPTF 3/8" NPTF 1/2" NPTF 3/4" NPTF	T50 T52 T54 T56		T510 T530 T550	
HOSE STEM				
3/8" HOSE I.D. 1/2" HOSE I.D. 3/4" HOSE I.D.	T59 T60 T61		T570 T580 T590	

TOMCO Pneumatic SINGLE SHUT-OFF

SERIES T5000 & T500

INDUSTRIAL INTERCHANGE MIL-C-4109

1/2" BASIC SIZE

Working Range:

Maximum Operating Pressure;
To 250 psig

Temperature: -40° to +225° F

Pressure Drop:

Inlet	5 psig	10 psig
100 psig	72 scfm	99 scfm



PLUG



AUTOMATIC COUPLER



MANUAL COUPLER

FEMALE THREAD	Catalog No.	Catalog No.	Catalog No.
3/8" NPTF	T53	T5000	T500
1/2" NPTF	T55	T5200	T520
3/4" NPTF	T57	T5400	T540


MALE THREAD	Catalog No.	Catalog No.	Catalog No.
1/4" NPTF	T50	T5100	T510
3/8" NPTF	T52	T5300	T530
1/2" NPTF	T54	T5500	T550
3/4" NPTF	T56		

HOSE STEM	Catalog No.	Catalog No.	Catalog No.
3/8" HOSE I.D.	T59	T5700	T570
1/2" HOSE I.D.	T60	T5800	T580
3/4" HOSE I.D.	T61	T5900	T590


REUSABLE HOSE CLAMP	Catalog No.	Catalog No.	Catalog No.
HOSE I.D. X HOSE O.D.			
3/8" X 5/8"	TD7-5	D7-5	D7-50
3/8" X 11/16"	TD9-5	D9-5	D9-50
3/8" X 3/4"	TD11-5	D11-5	D11-50
3/8" X 13/16"	TD13-5	D13-5	D13-50
3/8" X 7/8"	TD15-5	D15-5	D15-50
1/2" X 7/8"	TP15-5	P15-5	P15-50
1/2" X 15/16"	TP17-5	P17-5	P17-50
1/2" X 1"	TP19-5	P19-5	P19-50


Sleeve lock option available on above coupler. See TOMCO Price List.

TOMCO HOSE FITTINGS

HOSE SPLICER	Hose Sizes	Catalog No.
	3/16" I.D. to 3/16" I.D.	801
	1/4" I.D. to 1/4" I.D.	802
	5/16" I.D. to 5/16" I.D.	803
	3/8" I.D. to 3/8" I.D.	804
	1/2" I.D. to 1/2" I.D.	805

MALE HOSE STEM	Pipe - Hose Size	Catalog No.
	1/8" Male to 1/8" Hose	901
	1/8" Male to 3/16" Hose	913
	1/8" Male to 1/4" Hose	902
	1/4" Male to 3/16" Hose	915
	1/4" Male to 1/4" Hose	903*
	1/4" Male to 5/16" Hose	905
	1/4" Male to 3/8" Hose	906*
	3/8" Male to 1/4" Hose	907
	3/8" Male to 3/8" Hose	908
	3/8" Male to 1/2" Hose	909
	1/2" Male to 3/8" Hose	910
1/2" Male to 1/2" Hose	911	

FEMALE HOSE STEM	Pipe - Hose Size	Catalog No.
	1/8" Female to 1/8" Hose	920
	1/8" Female to 3/16" Hose	932
	1/8" Female to 1/4" Hose	921
	1/4" Female to 3/16" Hose	934
	1/4" Female to 1/4" Hose	922
	1/4" Female to 3/8" Hose	923
	1/4" Female to 5/16" Hose	924
	3/8" Female to 3/8" Hose	925
	3/8" Female to 1/2" Hose	926
	1/2" Female to 1/2" Hose	928

REUSABLE HOSE FITTING	Catalog No.	Catalog No.																																						
	<table border="1"> <thead> <tr> <th>Hose I.D. X Hose O.D.</th> <th>1/4" MALE NPTF</th> </tr> </thead> <tbody> <tr> <td>1/4" X 1/2"</td> <td>T2B3</td> </tr> <tr> <td>1/4" X 9/16"</td> <td>T2B5</td> </tr> <tr> <td>1/4" X 5/8"</td> <td>T2B7</td> </tr> <tr> <td>1/4" X 11/16"</td> <td>T2B9</td> </tr> <tr> <td>1/4" X 3/4"</td> <td>T2B11</td> </tr> <tr> <td>5/16" X 9/16"</td> <td>T2C5</td> </tr> <tr> <td>5/16" X 5/8"</td> <td>T2C7</td> </tr> <tr> <td>5/16" X 11/16"</td> <td>T2C9</td> </tr> <tr> <td>3/8" X 5/8"</td> <td>T2D7</td> </tr> <tr> <td>3/8" X 11/16"</td> <td>T2D9</td> </tr> <tr> <td>3/8" X 3/4"</td> <td>T2D11</td> </tr> </tbody> </table>	Hose I.D. X Hose O.D.	1/4" MALE NPTF	1/4" X 1/2"	T2B3	1/4" X 9/16"	T2B5	1/4" X 5/8"	T2B7	1/4" X 11/16"	T2B9	1/4" X 3/4"	T2B11	5/16" X 9/16"	T2C5	5/16" X 5/8"	T2C7	5/16" X 11/16"	T2C9	3/8" X 5/8"	T2D7	3/8" X 11/16"	T2D9	3/8" X 3/4"	T2D11	<table border="1"> <thead> <tr> <th>Hose I.D. X Hose O.D.</th> <th>3/8" MALE NPTF</th> </tr> </thead> <tbody> <tr> <td>3/8" X 9/16"</td> <td>T4D5</td> </tr> <tr> <td>3/8" X 5/8"</td> <td>T4D7</td> </tr> <tr> <td>3/8" X 11/16"</td> <td>T4D9</td> </tr> <tr> <td>3/8" X 3/4"</td> <td>T4D11</td> </tr> <tr> <td>3/8" X 13/16"</td> <td>T4D13</td> </tr> <tr> <td>3/8" X 7/8"</td> <td>T4D15</td> </tr> </tbody> </table>	Hose I.D. X Hose O.D.	3/8" MALE NPTF	3/8" X 9/16"	T4D5	3/8" X 5/8"	T4D7	3/8" X 11/16"	T4D9	3/8" X 3/4"	T4D11	3/8" X 13/16"	T4D13	3/8" X 7/8"	T4D15
	Hose I.D. X Hose O.D.	1/4" MALE NPTF																																						
	1/4" X 1/2"	T2B3																																						
	1/4" X 9/16"	T2B5																																						
	1/4" X 5/8"	T2B7																																						
	1/4" X 11/16"	T2B9																																						
	1/4" X 3/4"	T2B11																																						
	5/16" X 9/16"	T2C5																																						
	5/16" X 5/8"	T2C7																																						
	5/16" X 11/16"	T2C9																																						
	3/8" X 5/8"	T2D7																																						
	3/8" X 11/16"	T2D9																																						
3/8" X 3/4"	T2D11																																							
Hose I.D. X Hose O.D.	3/8" MALE NPTF																																							
3/8" X 9/16"	T4D5																																							
3/8" X 5/8"	T4D7																																							
3/8" X 11/16"	T4D9																																							
3/8" X 3/4"	T4D11																																							
3/8" X 13/16"	T4D13																																							
3/8" X 7/8"	T4D15																																							
	<table border="1"> <thead> <tr> <th>Hose I.D. X Hose O.D.</th> <th>1/2" MALE NPTF</th> </tr> </thead> <tbody> <tr> <td>1/2" X 7/8"</td> <td>T6P15</td> </tr> <tr> <td>1/2" X 15/16"</td> <td>T6P17</td> </tr> <tr> <td>1/2" X 1"</td> <td>T6P19</td> </tr> </tbody> </table>	Hose I.D. X Hose O.D.	1/2" MALE NPTF	1/2" X 7/8"	T6P15	1/2" X 15/16"	T6P17	1/2" X 1"	T6P19																															
Hose I.D. X Hose O.D.	1/2" MALE NPTF																																							
1/2" X 7/8"	T6P15																																							
1/2" X 15/16"	T6P17																																							
1/2" X 1"	T6P19																																							

* Also available in type 316 stainless steel... refer to current price list.

TOMCO Pneumatic SLIDE VALVES

Working Range:

Maximum Operating Pressure;
To 200 psig

Temperature: -20° to +200° F

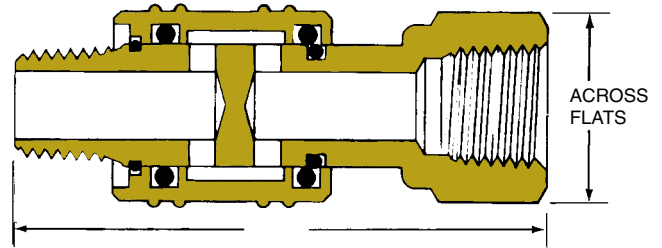
TOMCO 2 position, 3 way, manually operated slide valves provide simple on/off airflow control. They are the ideal, low-cost method for operating single action air cylinders, air clamps, air gauges and similar air-actuated devices. They can be mounted horizontally, vertically or at an angle.

Sliding the operating sleeve to the ON position closes the valve's relief ports and permits air to flow through the circuit. Sliding the sleeve in the opposite direction, opens the ports to bleed the air-operated device and shuts off the airflow. The slide protects the exhaust ports and directs exhaust air away from the operator's hand.

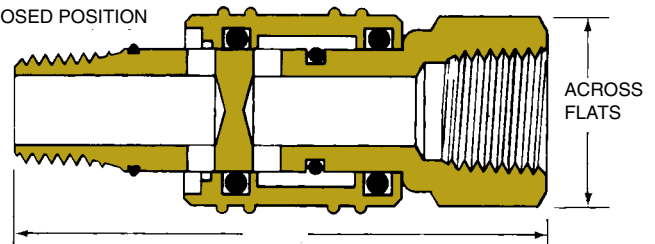
TOMCO slide valves are available with or without a detent which holds the sleeve in the open position against accidental closing due to vibration or gravitational pull.



OPEN POSITION



CLOSED POSITION



MALE THREAD

	With Detent	Without Detent	O.A.L.	Hex Across Flats	Flow @ 100 psig inlet	
					Pressure drop	Delivered volume
1/8" NPTF	S1	S1LD	2.150"	9/16"	5 psig	19 scfm
1/4" NPTF	S2	S2LD	2.440"	3/4"	5 psig	32 scfm

TOMCO CHECK VALVES

Working Range:

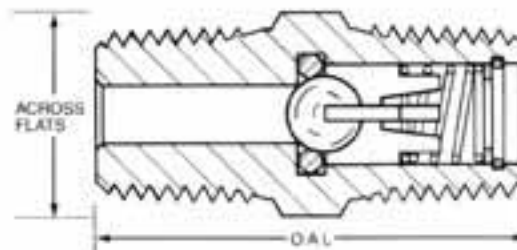
Maximum Operating Pressure;
To 1000 psig

Temperature: -40° to +230° F

Cracking Pressure: 1-2.5 psi

Available with elastomeric O-ring (Buna N*) for gas-tight seal or metal-to-metal leak-tight liquid seat. Brass body, stainless steel ball and spring, acetal ball guide.

* Other O-ring materials available. Please consult factory.



MALE THREAD

	Cv	O-Ring Seat	Metal-to-Metal Seat	O.A.L.	Hex Across Flats	Maximum Recommended Flow (gpm)
1/4" NPTF	.60	1900D-15	1901D-15	1.375"	9/16"	2.5
3/8" NPTF	1.00	1930D-20	1931D-20	1.625"	3/4"	6.0
1/2" NPTF	2.00	1940D-25	1941D-25	2.000"	7/8"	10.0

SAFETY BLOW GUN



SERIES 605 1/4" NPTF inlet

- Trouble-free, unitized, die cast body
- When tip is fully obstructed, @ 150 PSI input, relieving side holes drop tip-pressure to a safe 14.5 PSI
- Complies with OSHA Section 1910, 242(b)
- Bright chrome finish
- Cushioned thumb-lever
- Convenient, integral, hanger hook

BLOW-CLEAN GUN



SERIES 610 1/4" NPTF inlet

- Rubber tip directs air jet for blow-cleaning surfaces or cavities
- Tip can't scratch or mar finished surfaces
- Body features same as Series 605, but WITHOUT safety side holes
- Should be used only with 30 PSI line pressure or less
- When rubber tip is removed, a 1/8" female pipe thread is available for attaching extension tubes and other accessories

AIR ADJUSTING VALVE (NOT A SHUT-OFF VALVE)



SERIES 1200 1/4" NPTF ports

- Permits accurate flow control in either direction
- Set knurled knob to desired flow rate
- Spring-loaded ratchet permits positive flow adjustment without drift
- Oil resistant seals prevent leakage

TOMCO GARDEN HOSE

Working Range:
Maximum Operating Pressure;
To 200 psig
Temperature: -40° to +200° F

SERIES GH

GARDEN HOSE THREAD



PLUG (Hose Stem)



PLUG



MANUAL COUPLER

Size	Catalog No.	Catalog No.	Catalog No.
5/8" Hose I.D.	GHP-10HB	-	-
3/4"-11.5NH Male Thread	-	GHP	-
3/4"-11.5NH Female Thread	-	-	GHC

Dual Seal Water Service Design:

Ideal for frequent connect/disconnect water hose applications in industrial wash systems, food preparation plants, paper, agricultural watering, etc. O-ring in coupler body seals on the plug nose. Flat washer in coupler seals on the faucet thread.