

Pneumatic Couplings, Fittings and Accessories Page

Single Shut-Off Couplings

TOMCO offers a wide selection of premium quality pneumatic couplings that interchange with other popular coupler brands.

Basic

| Size | Series | Interchange | Page |
|------|----------------------|-------------------------------------|------|
| 1/8" | SC | RECTUS 21 | 2 |
| 1/4" | Universal | ARO, Parker (Tru-flate), Industrial | 2 |
| 1/4" | U2 | ARO, Tru-flate Ind. | 3 |
| 3/8" | U3 | Un. Safety Coupler | 3 |
| 1/4" | 100 & A100 | ARO 210, Industrial | 4 |
| 1/4" | 180, M180, A180 | Industrial, MIL-C-4109 | 5 |
| 1/4" | 2100 & A2100 | Parker (Tru-flate) | 6 |
| 1/4" | 1100 | Lincoln | 7 |
| 1/4" | TL | Schrader | 7 |
| 3/8" | T4000, T400 & PT 400 | Industrial | 8 |
| 3/8" | PT 400 & T500 | Parker (Tru-flate) | 9 |
| 1/2" | T500 | Parker (Tru-flate) | 9 |
| 1/2" | T5000, T500 | MIL-C-4109 | 10 |

Hose Fittings, Hose Splice, Male and Female Stems, and Reusable Fittings 11

"Slim-Flow" Quick Connect, Series 3400, 3600 & 3800 34

This precision line of couplers is ideally suited for instrumentation and chemical processing applications.

Blow Guns and Accessories 13

Slide Valves 12

Check Valves 12

Safety Relief Valves, Series 1780 36

For air compressor storage tanks. ASME Coded.

Pressure Relief Valves, Series 1776K 37

Developed for electrical distribution transformers.

Hydraulic/Fluid Couplers, Fittings and Accessories

Straight Through/Full Flow Couplers, Series ST 30

Double Shut-Off Couplers

| Series | Interchange | Page |
|--------|---|------|
| PC | Pioneer | 25 |
| CD | Pioneer Interchange with Double Acting Sleeve | 27 |
| CU | Pioneer Interchange Couple Under Pressure | 27 |
| A5100 | Thread-to-Connect <i>Couple-under-pressure couplings ideally suited for mining, bulk hauling, oil field, construction or other applications where connections must be made with trapped line pressure.</i> | 22 |
| JC | Thread-to-Connect <i>10,000 PSI, designed for hydraulic ram service</i> | 24 |
| A5600 | General Purpose ISO "A" <i>Two-way coupler for mobile hydraulic equipment.</i> | 20 |
| THK | Industrial Interchange ISO "B" <i>Two-way coupler for general industrial hydraulic applications.</i> | 17 |
| THK 12 | High Flow <i>1-1/2" basic size for high volume fluid transfer applications such as return lines.</i> | 19 |
| FE | Flush Face International Interchange <i>Minimum spill flat face couplers ideally suited for mobile hydraulic equipment.</i> | 14 |
| FF | Flush Face, High Pressure <i>Similar to Series FE but with working pressure ratings up to 10, 000 psi.</i> | 14 |
| FS | Flush Face, Stainless Steel <i>316 stainless steel construction is ideal for highly corrosive environments.</i> | 16 |
| DK | 6,000 PSI Designed for diagnostic equipment, interchangeable with Parker PD Series. | 28 |

Mold Coolant-Line Quick Couplers

These brass couplings have been especially developed for quick connection and disconnection of fluid lines on plastic injection molds.

| Series | Interchange |
|------------------|-----------------------|
| MC200, 300 & 500 | D-M-E, Parker, Foster |

Garden Hose Couplings, Series GH

Professional garden hose couplers for specialty markets

Product Information

| | |
|--------------------------------|----|
| Safety Guide | 38 |
| Warranty, Terms and Conditions | 40 |
| Seal Material Compatibility | 39 |
| Plug Profile Selection Guide | 41 |

TOMCO Pneumatic SINGLE SHUT-OFF

1/4" BASIC SIZE

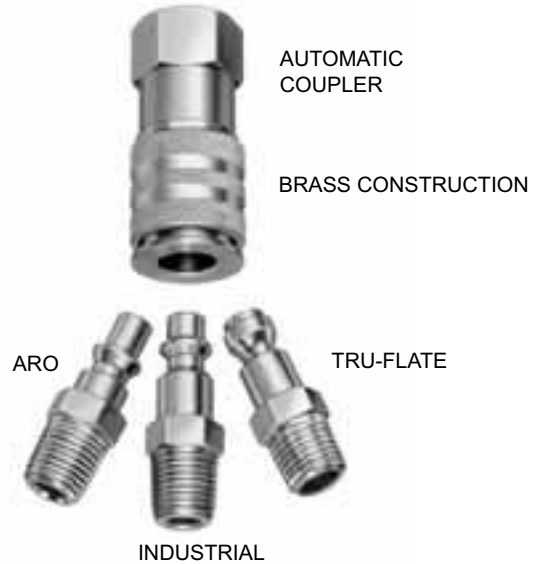
| | | |
|--|---------|---------|
| Working Range: | | |
| Maximum Operating Pressure; To 150 psig | | |
| Temperature: -40° to +225° F | | |
| Pressure Drop: | | |
| Inlet | 5 psig | 10 psig |
| 100 psig | 25 scfm | 34 scfm |

| FEMALE THREAD | Catalog No. |
|---------------|-------------|
| 1/4" NPSF | UC2-16 |

| MALE THREAD | Catalog No. |
|-------------|-------------|
| 1/4" NPT | UC2-15 |
| 3/8" NPTF | UC2-20 |

UNIVERSAL SERIES

ARO, TRU-FLATE, INDUSTRIAL INTERCHANGE



TOMCO Pneumatic SINGLE SHUT-OFF OR STRAIGHT THROUGH

1/8" BASIC SIZE

| | | |
|--|---------|---------|
| Working Range: | | |
| Maximum Operating Pressure; To 250 psig | | |
| Temperature: -40° to +225° F | | |
| Pressure Drop: | | |
| Inlet | 5 psig | 10 psig |
| 100 psig | 16 scfm | 23 scfm |

SERIES SC

RECTUS SERIES 21 INTERCHANGE

MAX ACROSS FLATS ONLY 5/8"



| FEMALE THREAD | Catalog No. | Catalog No. |
|------------------------|--------------|------------------------------------|
| 1/8" NPTF 1/4" NPTF | <u>STEEL</u> | <u>BRASS</u> (valved) |
| | SCP-11 | SCC-11B |
| | SCP-16 | <u>BRASS</u> (Straight Through) |
| | | SCC-11BLV |
| | | SCC-16B |
| | | SCC-16BLV |

| MALE THREAD | Catalog No. | Catalog No. |
|------------------------|--------------|------------------------------------|
| 1/8" NPTF 1/4" NPTF | <u>STEEL</u> | <u>BRASS</u> (valved) |
| | SCP-10 | SCC-10B |
| | SCP-15 | <u>BRASS</u> (Straight Through) |
| | | SCC-10BLV |
| | | SCC-15B |
| | | SCC-15BLV |

TOMCO Universal Safety Couplers 1/4" BODY SIZE

Automatic exhausting air couplers with universal multiple interchange features.

Features:

TOMCO UNIVERSAL SAFETY COUPLERS are exhaust type couplers designed to exhaust air pressure prior to disconnection. This allows for coupling and uncoupling at zero pressure which greatly reduces the force required to couple and uncouple and minimizes the possibility of hose whip. The black sleeve acts as an integral shut-off valve which exhausts down stream air and includes a mechanical sleeve lock to prevent accidental disconnect when the air flow is opened. The proven six ball locking system resists wear and provides positive connection.

U2 Working Range:

Maximum Operating Pressure;
To 200 psig

Temperature: -20° to +200° F

Pressure Drop:

| | | |
|----------|---------|---------|
| Inlet | 5 psig | 10 psig |
| 100 psig | 25 scfm | 34 scfm |

| FEMALE THREAD | Catalog No. |
|----------------|-------------|
| 1/4" NPSF | U2-16 |
| MALE THREAD | Catalog No. |
| 1/4" NPTF | U2-15 |
| HOSE STEM | Catalog No. |
| 1/4" Hose I.D. | U2-17 |
| 3/8" Hose I.D. | U2-22 |

U3 Working Range:

Maximum Operating Pressure;
To 200 psig

Temperature: -20° to +200° F

Pressure Drop:

| | | |
|----------|---------|---------|
| Inlet | 5 psig | 10 psig |
| 100 psig | 45 scfm | 60 scfm |

3/8" BODY SIZE

| FEMALE THREAD | Catalog No. |
|---------------|-------------|
| 3/8" NPSF | U3-21 |

Interchanges with:

1. 3/8" Industrial interchange
2. 3/8" ARO 310
3. Parker Truflate 10 Series 3/8"

SERIES U2

UNIVERSAL SAFETY COUPLER

Tomco U2 couplers provide a universal 4 way interchange combined with push-to-connect exhaust style action. **The U3, 3/8 coupler is a universal 3 way interchange.**

To couple, push the plug into the coupler. The gold locking sleeve automatically locks the plug in place. The black valve sleeve is then slid to open air flow and automatically engage the sleeve lock. To disconnect, slide the black sleeve back to shut off air flow and exhaust downstream air. Then retract the gold sleeve to disconnect.

Construction: Anodized aluminum with nitrile seals.

Interchanges with:

1. 1/4" Industrial interchange
2. 1/4" ARO 210
3. Parker Truflate 10 Series 1/4"
4. Lincoln



SERIES U3

UNIVERSAL SAFETY COUPLER



TOMCO Pneumatic SINGLE SHUT-OFF

1/4" BASIC SIZE

SERIES 100 & A100

ARO 210 INTERCHANGE

Working Range:

Maximum Operating Pressure;
To 250 psig

Temperature: -40° to +225° F

Pressure Drop:

| | | |
|----------|---------|---------|
| Inlet | 5 psig | 10 psig |
| 100 psig | 25 scfm | 34 scfm |



PLUG



AUTOMATIC COUPLER



High Performance Manual Coupler
With 6 Locking Balls



AIRMATE I.D.

No rings on
face=ARO
Interchange

| FEMALE THREAD | Catalog No. | Catalog No. | Catalog No. |
|----------------------------|-------------|-------------|-------------|
| 1/8" NPTF | 302 | 103 | A103 |
| 1/4" NPTF | 300 | 100 | A100 |
| 3/8" NPTF | - | 106 | A106 |
| MALE THREAD | | | |
| 1/8" NPTF | 202 | 102 | A102 |
| 1/4" NPTF | 200 | 101 | A101 |
| 3/8" NPTF | - | 107 | A107 |
| HOSE STEM | | | |
| 1/4" HOSE I.D. | 400 | 104 | A104 |
| 5/16" HOSE I.D. | 506 | 108 | A108 |
| 3/8" HOSE I.D. | 500 | 105 | A105 |
| REUSABLE HOSE CLAMP | | | |
| HOSE I.D. X HOSE O.D. | | | |
| 1/4" X 1/2" | | B3-100 | AB3-100 |
| 1/4" X 9/16" | | B5-100 | AB5-100 |
| 1/4" X 5/8" | | B7-100 | AB7-100 |
| 1/4" X 11/16" | | B9-100 | AB9-100 |
| 1/4" X 3/4" | | B11-100 | AB11-100 |
| 5/16" X 9/16" | | C5-100 | AC5-100 |
| 5/16" X 5/8" | | C7-100 | AC7-100 |
| 5/16" X 11/16" | | C9-100 | AC9-100 |
| 3/8" X 5/8" | | D7-100 | AD7-100 |
| 3/8" X 11/16" | | D9-100 | AD9-100 |
| 3/8" X 3/4" | | D11-100 | AD11-100 |
| 3/8" X 13/16" | | D13-100 | AD13-100 |
| 3/8" X 7/8" | | D15-100 | AD15-100 |

TOMCO Pneumatic SINGLE SHUT-OFF

SERIES 180, M180, A180

INDUSTRIAL INTERCHANGE

1/4" BASIC SIZE

Working Range:
Maximum Operating Pressure;
To 250 psig
Temperature: -40° to +225° F
Pressure Drop:
Inlet 5 psig 10 psig
100 psig 26 scfm 37 scfm



PLUG



MIL-C-4109
AUTOMATIC COUPLER



MANUAL COUPLER



High Performance Manual
Coupler With 6 Locking Balls



AIRMATE I.D.
2 rings
on face=
Industrial
Interchange

| FEMALE THREAD | Catalog No. | Catalog No. | Catalog No. | Catalog No. |
|---------------|-------------|-------------|-------------|-------------|
| 1/8" NPTF | 1803 | 183* | M183* | A183 |
| 1/4" NPTF | 1805*†• | 184*† | M184*†• | A184 |
| 3/8" NPTF | 1807* | 185* | M185* | A185 |

| MALE THREAD | Catalog No. | Catalog No. | Catalog No. | Catalog No. |
|-------------|-------------|-------------|-------------|-------------|
| 1/8" NPTF | 1802 | 180 | M180 | A180 |
| 1/4" NPTF | 1804*†• | 181*† | M181*†• | A181 |
| 3/8" NPTF | 1806 | 182* | M182* | A182 |

| HOSE STEM | Catalog No. | Catalog No. | Catalog No. | Catalog No. |
|--------------------------|-------------|-------------|-------------|-------------|
| 1/4" HOSE I.D. | 1824 | 186* | M186 | A186 |
| 5/16" HOSE I.D. | 1827 | 188 | M188 | A188 |
| 3/8" HOSE I.D. | 1826 | 187* | M187 | A187 |
| 1/4" HOSE I.D. (Push-On) | 1850 | 189 | M189 | A189 |
| 3/8" HOSE I.D. (Push-On) | 1860 | 190 | M190 | A190 |

| REUSABLE HOSE CLAMP | Catalog No. | Catalog No. | Catalog No. | Catalog No. |
|-----------------------|-------------|-------------|-------------|-------------|
| HOSE I.D. X HOSE O.D. | | | | |
| 1/4" X 1/2" | TB3-1 | B3-1 | MB3-1 | |
| 1/4" X 9/16" | TB5-1 | B5-1 | MB5-1 | |
| 1/4" X 5/8" | TB7-1• | B7-1 | MB7-1• | |
| 1/4" X 11/16" | TB9-1 | B9-1 | MB9-1 | |
| 1/4" X 3/4" | TB11-1 | B11-1 | MB11-1 | |
| 5/16" X 9/16" | - | C5-1 | MC5-1 | |
| 5/16" X 5/8" | - | C7-1 | MC7-1 | |
| 5/16" X 11/16" | - | C9-1 | MC9-1 | |
| 3/8" X 5/8" | TD7-1 | D7-1 | MD7-1 | |
| 3/8" X 11/16" | TD9-1 | D9-1 | MD9-1 | |
| 3/8" X 3/4" | TD11-1 | D11-1 | MD11-1 | |
| 3/8" X 13/16" | TD13-1 | D13-1 | MD13-1 | |
| 3/8" X 7/8" | TD15-1 | D15-1 | MD15-1 | |

Sleeve lock option available on above couplers
(except AirMate). See details in TOMCO Price List.

* Available in Brass...refer to current price list.

• Available in Stainless. - Suffix 303

† Available with British parallel pipe thread. - Suffix BS

TOMCO Pneumatic SINGLE SHUT-OFF

SERIES 2100 & A2100 PARKER (TRU-FLATE) INTERCHANGE

1/4" BASIC SIZE

Working Range:
Maximum Operating Pressure;
To 250 psig
Temperature: -40° to +225° F
Pressure Drop:

| | | |
|----------|---------|---------|
| Inlet | 5 psig | 10 psig |
| 100 psig | 25 scfm | 34 scfm |



PLUG



AUTOMATIC COUPLER



High Performance Manual Coupler
With 6 Locking Balls



AIRMATE I.D.

One ring
face=Truflate
Interchange

| FEMALE THREAD | Catalog No. | Catalog No. | Catalog No. |
|---------------|-------------|-------------|-------------|
| 1/8" NPTF | 2153 | 2183 | A2183 |
| 1/4" NPTF | 2155 | 2184 | A2184 |
| 3/8" NPTF | 2157 | 2185 | A2185 |

| MALE THREAD | Catalog No. | Catalog No. | Catalog No. |
|-------------|-------------|-------------|-------------|
| 1/8" NPTF | 2152 | 2180 | A2180 |
| 1/4" NPTF | 2154* | 2181 | A2181 |
| 3/8" NPTF | 2156 | 2182 | A2182 |

| HOSE STEM | Catalog No. | Catalog No. | Catalog No. |
|--------------------------|-------------|-------------|-------------|
| 1/4" HOSE I.D. | 2164 | 2186 | A2186 |
| 5/16" HOSE I.D. | - | 2187 | A2187 |
| 3/8" HOSE I.D. | 2166 | 2188 | A2188 |
| 1/4" HOSE I.D. (Push On) | 2150 | 2189 | A2189 |
| 3/8" HOSE I.D. (Push On) | 2160 | 2190 | A2190 |

| HOSE I.D. X HOSE O.D. | Catalog No. | Catalog No. |
|-----------------------|-------------|-------------|
| 1/4" X 1/2" | B3-2100 | |
| 1/4" X 9/16" | B5-2100 | |
| 1/4" X 5/8" | B7-2100 | |
| 1/4" X 11/16" | B9-2100 | |
| 1/4" X 3/4" | B11-2100 | |
| 5/16" X 9/16" | C5-2100 | |
| 5/16" X 5/8" | C7-2100 | |
| 5/16" X 11/16" | C9-2100 | |
| 3/8" X 5/8" | D7-2100 | |
| 3/8" X 11/16" | D9-2100 | |
| 3/8" X 3/4" | D11-2100 | |
| 3/8" X 13/16" | D13-2100 | |
| 3/8" X 7/8" | D15-2100 | |

TOMCO Pneumatic SINGLE SHUT-OFF

SERIES 1100

LINCOLN INTERCHANGE

1/4" BASIC SIZE

Working Range:
Maximum Operating Pressure;
To 250 psig
Temperature: -40° to +225° F
Pressure Drop:







| | | |
|----------|---------|---------|
| Inlet | 5 psig | 10 psig |
| 100 psig | 23 scfm | 32 scfm |



PLUG



AUTOMATIC COUPLER

| FEMALE THREAD | Catalog No. | Catalog No. |
|--------------------|--|--|
| 1/4" NPT | 1110  | 1100  |
| MALE THREAD | | |
| 1/8" NPT | 1106  | 1102  |
| 1/4" NPT | 1109  | 1101  |

FOR STANDARD COUPLING MATERIALS, SEE PAGE 40.

TOMCO Pneumatic SINGLE SHUT-OFF

SERIES TL

SCHRADER INTERCHANGE

PUSH TO CONNECT - TWIST SLEEVE TO DISCONNECT

1/4" BASIC SIZE

Working Range:
Maximum Operating Pressure;
To 250 psig
Temperature: -40° to +225° F
Pressure Drop:


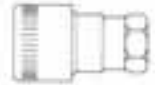

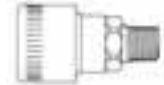
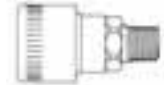
| | | |
|----------|---------|---------|
| Inlet | 5 psig | 10 psig |
| 100 psig | 25 scfm | 34 scfm |



PLUG



AUTOMATIC COUPLER

| FEMALE THREAD | Catalog No. | Catalog No. |
|--------------------|--|--|
| 1/4" NPTF | TLP-16  | TLC-16  |
| MALE THREAD | | |
| 1/4" NPTF | TLP-15  | TLC-15  |
| 3/8" NPTF | - | TLC-20  |

TOMCO Pneumatic SINGLE SHUT-OFF

SERIES T4000, T400, PT400

INDUSTRIAL INTERCHANGE

3/8" BASIC SIZE

Working Range:

Maximum Operating Pressure;
To 250 psig

Temperature: -40° to +225° F

Pressure Drop:

| | | |
|-------|----------|---------|
| Inlet | 5 psig | 10 psig |
| | 100 psig | 49 scfm |
| | | 67 scfm |



PLUG



AUTOMATIC COUPLER



MANUAL COUPLER



MANUAL COUPLER

| FEMALE THREAD | Catalog No. | Catalog No. | Catalog No. | Catalog No. |
|---------------|-------------|-------------|-------------|-------------|
| 1/4" NPTF | T41 | T4000 | T400 | PT400 |
| 3/8" NPTF | T43 | T4200 | T420 | PT420 |
| 1/2" NPTF | T45 | T4400 | T440 | PT440 |

| MALE THREAD | Catalog No. | Catalog No. | Catalog No. | Catalog No. |
|-------------|-------------|-------------|-------------|-------------|
| 1/8" NPTF | T38 | - | - | - |
| 1/4" NPTF | T40 | T4100 | T410 | PT410 |
| 3/8" NPTF | T42 | T4300 | T430 | PT430 |
| 1/2" NPTF | T44 | T4500 | T450 | PT450 |

| HOSE STEM | Catalog No. | Catalog No. | Catalog No. | Catalog No. |
|--------------------------|-------------|-------------|-------------|-------------|
| 1/4" HOSE I.D. | T46 | T4600 | T460 | PT460 |
| 5/16" HOSE I.D. | T47 | - | - | - |
| 3/8" HOSE I.D. | T48 | T4800 | T480 | PT480 |
| 1/2" HOSE I.D. | T49 | T4900 | T490 | PT490 |
| 3/8" HOSE I.D. (Push-On) | T48P | T4800F | T480P | PT480P |

| REUSABLE HOSE CLAMP | Catalog No. | Catalog No. | Catalog No. | Catalog No. |
|-----------------------|-------------|-------------|-------------|-------------|
| HOSE I.D. X HOSE O.D. | | | | |
| 5/16" X 9/16" | TC5-4 | C5-4 | C5-40 | PC5-40 |
| 5/16" X 5/8" | TC7-4 | C7-4 | C7-40 | PC7-40 |
| 5/16" X 11/16" | TC9-4 | C9-4 | C9-40 | PC9-40 |
| 3/8" X 9/16" | TD5-4 | D5-4 | D5-40 | PD5-40 |
| 3/8" X 5/8" | TD7-4 | D7-4 | D7-40 | PD7-40 |
| 3/8" X 11/16" | TD9-4 | D9-4 | D9-40 | PD9-40 |
| 3/8" X 3/4" | TD11-4 | D11-4 | D11-40 | PD11-40 |
| 3/8" X 13/16" | TD13-4 | D13-4 | D13-40 | PD13-40 |
| 3/8" X 7/8" | TD15-4 | D15-4 | D15-40 | PD15-40 |
| 1/2" X 7/8" | TP15-4 | P15-4 | P15-40 | PP15-40 |
| 1/2" X 15/16" | TP17-4 | P17-4 | P17-40 | PP17-40 |
| 1/2" X 1" | TP19-4 | P19-4 | P19-40 | PP19-40 |

Sleeve lock option available on above couplers. See TOMCO Price List.

TOMCO Pneumatic SINGLE SHUT-OFF

SERIES PT400

PARKER (TRU-FLATE) INTERCHANGES

3/8" BASIC SIZE

Working Range:
Maximum Operating Pressure;
To 250 psig
Temperature: -40° to +225° F



PLUG



MANUAL COUPLER

| FEMALE THREAD | Catalog No. | | Catalog No. | |
|--|-------------------------|--|-----------------------------------|--|
| 1/4" NPTF 3/8" NPTF 1/2" NPTF | PT41 PT43 - | | PT400 PT420 PT440 | |
| MALE THREAD | | | | |
| 1/4" NPTF 3/8" NPTF 1/2" NPTF | PT40 PT42 - | | PT410 PT430 PT450 | |
| HOSE STEM | | | | |
| 1/4" HOSE I.D. 3/8" HOSE I.D. 1/2" HOSE I.D. 3/8" HOSE I.D. (Push-On) | - PT48 - PT48P | | PT460 PT480 PT490 PT480P | |

1/2" BASIC SIZE

SERIES T500 COUPLERS & PLUGS INTERCHANGE WITH
1/2" BASIC SIZE TRUFLATE COUPLERS & PLUGS

Working Range:
Maximum Operating Pressure;
To 250 psig
Temperature: -40° to +225° F
Pressure Drop:
Inlet 5 psig 10 psig
100 psig 72 scfm 99 scfm



PLUG



MANUAL COUPLER

| FEMALE THREAD | Catalog No. | | Catalog No. | |
|--|--------------------------|--|----------------------|--|
| 3/8" NPTF 1/2" NPTF 3/4" NPTF | T53 T55 T57 | | T500 T520 T540 | |
| MALE THREAD | | | | |
| 1/4" NPTF 3/8" NPTF 1/2" NPTF 3/4" NPTF | T50 T52 T54 T56 | | T510 T530 T550 | |
| HOSE STEM | | | | |
| 3/8" HOSE I.D. 1/2" HOSE I.D. 3/4" HOSE I.D. | T59 T60 T61 | | T570 T580 T590 | |

TOMCO Pneumatic SINGLE SHUT-OFF

SERIES T5000 & T500

INDUSTRIAL INTERCHANGE MIL-C-4109

1/2" BASIC SIZE

Working Range:

Maximum Operating Pressure;
To 250 psig

Temperature: -40° to +225° F

Pressure Drop:

| | | |
|----------|---------|---------|
| Inlet | 5 psig | 10 psig |
| 100 psig | 72 scfm | 99 scfm |



PLUG



AUTOMATIC COUPLER



MANUAL COUPLER

| FEMALE THREAD | Catalog No. | Catalog No. | Catalog No. |
|---------------|-------------|-------------|-------------|
| 3/8" NPTF | T53 | T5000 | T500 |
| 1/2" NPTF | T55 | T5200 | T520 |
| 3/4" NPTF | T57 | T5400 | T540 |


| MALE THREAD | Catalog No. | Catalog No. | Catalog No. |
|-------------|-------------|-------------|-------------|
| 1/4" NPTF | T50 | T5100 | T510 |
| 3/8" NPTF | T52 | T5300 | T530 |
| 1/2" NPTF | T54 | T5500 | T550 |
| 3/4" NPTF | T56 | | |

| HOSE STEM | Catalog No. | Catalog No. | Catalog No. |
|----------------|-------------|-------------|-------------|
| 3/8" HOSE I.D. | T59 | T5700 | T570 |
| 1/2" HOSE I.D. | T60 | T5800 | T580 |
| 3/4" HOSE I.D. | T61 | T5900 | T590 |


| REUSABLE HOSE CLAMP | Catalog No. | Catalog No. | Catalog No. |
|-----------------------|-------------|-------------|-------------|
| HOSE I.D. X HOSE O.D. | | | |
| 3/8" X 5/8" | TD7-5 | D7-5 | D7-50 |
| 3/8" X 11/16" | TD9-5 | D9-5 | D9-50 |
| 3/8" X 3/4" | TD11-5 | D11-5 | D11-50 |
| 3/8" X 13/16" | TD13-5 | D13-5 | D13-50 |
| 3/8" X 7/8" | TD15-5 | D15-5 | D15-50 |
| 1/2" X 7/8" | TP15-5 | P15-5 | P15-50 |
| 1/2" X 15/16" | TP17-5 | P17-5 | P17-50 |
| 1/2" X 1" | TP19-5 | P19-5 | P19-50 |


Sleeve lock option available on above coupler. See TOMCO Price List.

TOMCO HOSE FITTINGS

| HOSE SPLICER | Hose Sizes | Catalog No. |
|---|--------------------------|-------------|
|  | 3/16" I.D. to 3/16" I.D. | 801 |
| | 1/4" I.D. to 1/4" I.D. | 802 |
| | 5/16" I.D. to 5/16" I.D. | 803 |
| | 3/8" I.D. to 3/8" I.D. | 804 |
| | 1/2" I.D. to 1/2" I.D. | 805 |

| MALE HOSE STEM | Pipe - Hose Size | Catalog No. |
|---|-------------------------|-------------|
|  | 1/8" Male to 1/8" Hose | 901 |
| | 1/8" Male to 3/16" Hose | 913 |
| | 1/8" Male to 1/4" Hose | 902 |
| | 1/4" Male to 3/16" Hose | 915 |
| | 1/4" Male to 1/4" Hose | 903* |
| | 1/4" Male to 5/16" Hose | 905 |
| | 1/4" Male to 3/8" Hose | 906* |
| | 3/8" Male to 1/4" Hose | 907 |
| | 3/8" Male to 3/8" Hose | 908 |
| | 3/8" Male to 1/2" Hose | 909 |
| | 1/2" Male to 3/8" Hose | 910 |
| 1/2" Male to 1/2" Hose | 911 | |

| FEMALE HOSE STEM | Pipe - Hose Size | Catalog No. |
|---|---------------------------|-------------|
|  | 1/8" Female to 1/8" Hose | 920 |
| | 1/8" Female to 3/16" Hose | 932 |
| | 1/8" Female to 1/4" Hose | 921 |
| | 1/4" Female to 3/16" Hose | 934 |
| | 1/4" Female to 1/4" Hose | 922 |
| | 1/4" Female to 3/8" Hose | 923 |
| | 1/4" Female to 5/16" Hose | 924 |
| | 3/8" Female to 3/8" Hose | 925 |
| | 3/8" Female to 1/2" Hose | 926 |
| | 1/2" Female to 1/2" Hose | 928 |

| REUSABLE HOSE FITTING | Catalog No. | Catalog No. | | | | | | | | | | | | | | | | | | | | | | | | | | | | | | | | | | | | | | |
|---|--|-----------------------|----------------|-------------|-------|---------------|-------|-------------|-------|---------------|------|-------------|-------|---------------|------|--------------|------|----------------|------|-------------|------|---------------|------|-------------|-------|---|-----------------------|----------------|--------------|------|-------------|------|---------------|------|-------------|-------|---------------|-------|-------------|-------|
|  | <table border="1"> <thead> <tr> <th>Hose I.D. X Hose O.D.</th> <th>1/4" MALE NPTF</th> </tr> </thead> <tbody> <tr> <td>1/4" X 1/2"</td> <td>T2B3</td> </tr> <tr> <td>1/4" X 9/16"</td> <td>T2B5</td> </tr> <tr> <td>1/4" X 5/8"</td> <td>T2B7</td> </tr> <tr> <td>1/4" X 11/16"</td> <td>T2B9</td> </tr> <tr> <td>1/4" X 3/4"</td> <td>T2B11</td> </tr> <tr> <td>5/16" X 9/16"</td> <td>T2C5</td> </tr> <tr> <td>5/16" X 5/8"</td> <td>T2C7</td> </tr> <tr> <td>5/16" X 11/16"</td> <td>T2C9</td> </tr> <tr> <td>3/8" X 5/8"</td> <td>T2D7</td> </tr> <tr> <td>3/8" X 11/16"</td> <td>T2D9</td> </tr> <tr> <td>3/8" X 3/4"</td> <td>T2D11</td> </tr> </tbody> </table> | Hose I.D. X Hose O.D. | 1/4" MALE NPTF | 1/4" X 1/2" | T2B3 | 1/4" X 9/16" | T2B5 | 1/4" X 5/8" | T2B7 | 1/4" X 11/16" | T2B9 | 1/4" X 3/4" | T2B11 | 5/16" X 9/16" | T2C5 | 5/16" X 5/8" | T2C7 | 5/16" X 11/16" | T2C9 | 3/8" X 5/8" | T2D7 | 3/8" X 11/16" | T2D9 | 3/8" X 3/4" | T2D11 | <table border="1"> <thead> <tr> <th>Hose I.D. X Hose O.D.</th> <th>3/8" MALE NPTF</th> </tr> </thead> <tbody> <tr> <td>3/8" X 9/16"</td> <td>T4D5</td> </tr> <tr> <td>3/8" X 5/8"</td> <td>T4D7</td> </tr> <tr> <td>3/8" X 11/16"</td> <td>T4D9</td> </tr> <tr> <td>3/8" X 3/4"</td> <td>T4D11</td> </tr> <tr> <td>3/8" X 13/16"</td> <td>T4D13</td> </tr> <tr> <td>3/8" X 7/8"</td> <td>T4D15</td> </tr> </tbody> </table> | Hose I.D. X Hose O.D. | 3/8" MALE NPTF | 3/8" X 9/16" | T4D5 | 3/8" X 5/8" | T4D7 | 3/8" X 11/16" | T4D9 | 3/8" X 3/4" | T4D11 | 3/8" X 13/16" | T4D13 | 3/8" X 7/8" | T4D15 |
| | Hose I.D. X Hose O.D. | 1/4" MALE NPTF | | | | | | | | | | | | | | | | | | | | | | | | | | | | | | | | | | | | | | |
| | 1/4" X 1/2" | T2B3 | | | | | | | | | | | | | | | | | | | | | | | | | | | | | | | | | | | | | | |
| | 1/4" X 9/16" | T2B5 | | | | | | | | | | | | | | | | | | | | | | | | | | | | | | | | | | | | | | |
| | 1/4" X 5/8" | T2B7 | | | | | | | | | | | | | | | | | | | | | | | | | | | | | | | | | | | | | | |
| | 1/4" X 11/16" | T2B9 | | | | | | | | | | | | | | | | | | | | | | | | | | | | | | | | | | | | | | |
| | 1/4" X 3/4" | T2B11 | | | | | | | | | | | | | | | | | | | | | | | | | | | | | | | | | | | | | | |
| | 5/16" X 9/16" | T2C5 | | | | | | | | | | | | | | | | | | | | | | | | | | | | | | | | | | | | | | |
| | 5/16" X 5/8" | T2C7 | | | | | | | | | | | | | | | | | | | | | | | | | | | | | | | | | | | | | | |
| | 5/16" X 11/16" | T2C9 | | | | | | | | | | | | | | | | | | | | | | | | | | | | | | | | | | | | | | |
| | 3/8" X 5/8" | T2D7 | | | | | | | | | | | | | | | | | | | | | | | | | | | | | | | | | | | | | | |
| | 3/8" X 11/16" | T2D9 | | | | | | | | | | | | | | | | | | | | | | | | | | | | | | | | | | | | | | |
| 3/8" X 3/4" | T2D11 | | | | | | | | | | | | | | | | | | | | | | | | | | | | | | | | | | | | | | | |
| Hose I.D. X Hose O.D. | 3/8" MALE NPTF | | | | | | | | | | | | | | | | | | | | | | | | | | | | | | | | | | | | | | | |
| 3/8" X 9/16" | T4D5 | | | | | | | | | | | | | | | | | | | | | | | | | | | | | | | | | | | | | | | |
| 3/8" X 5/8" | T4D7 | | | | | | | | | | | | | | | | | | | | | | | | | | | | | | | | | | | | | | | |
| 3/8" X 11/16" | T4D9 | | | | | | | | | | | | | | | | | | | | | | | | | | | | | | | | | | | | | | | |
| 3/8" X 3/4" | T4D11 | | | | | | | | | | | | | | | | | | | | | | | | | | | | | | | | | | | | | | | |
| 3/8" X 13/16" | T4D13 | | | | | | | | | | | | | | | | | | | | | | | | | | | | | | | | | | | | | | | |
| 3/8" X 7/8" | T4D15 | | | | | | | | | | | | | | | | | | | | | | | | | | | | | | | | | | | | | | | |
| | <table border="1"> <thead> <tr> <th>Hose I.D. X Hose O.D.</th> <th>1/2" MALE NPTF</th> </tr> </thead> <tbody> <tr> <td>1/2" X 7/8"</td> <td>T6P15</td> </tr> <tr> <td>1/2" X 15/16"</td> <td>T6P17</td> </tr> <tr> <td>1/2" X 1"</td> <td>T6P19</td> </tr> </tbody> </table> | Hose I.D. X Hose O.D. | 1/2" MALE NPTF | 1/2" X 7/8" | T6P15 | 1/2" X 15/16" | T6P17 | 1/2" X 1" | T6P19 | | | | | | | | | | | | | | | | | | | | | | | | | | | | | | | |
| Hose I.D. X Hose O.D. | 1/2" MALE NPTF | | | | | | | | | | | | | | | | | | | | | | | | | | | | | | | | | | | | | | | |
| 1/2" X 7/8" | T6P15 | | | | | | | | | | | | | | | | | | | | | | | | | | | | | | | | | | | | | | | |
| 1/2" X 15/16" | T6P17 | | | | | | | | | | | | | | | | | | | | | | | | | | | | | | | | | | | | | | | |
| 1/2" X 1" | T6P19 | | | | | | | | | | | | | | | | | | | | | | | | | | | | | | | | | | | | | | | |

* Also available in type 316 stainless steel... refer to current price list.

TOMCO Pneumatic SLIDE VALVES

Working Range:

Maximum Operating Pressure;
To 200 psig

Temperature: -20° to +200° F

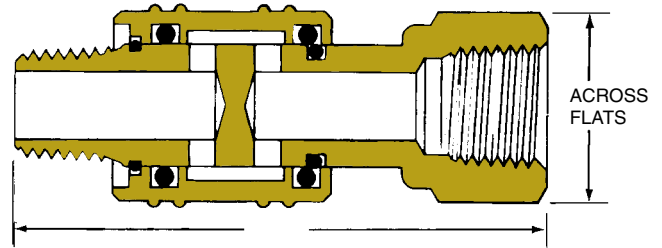
TOMCO 2 position, 3 way, manually operated slide valves provide simple on/off airflow control. They are the ideal, low-cost method for operating single action air cylinders, air clamps, air gauges and similar air-actuated devices. They can be mounted horizontally, vertically or at an angle.

Sliding the operating sleeve to the ON position closes the valve's relief ports and permits air to flow through the circuit. Sliding the sleeve in the opposite direction, opens the ports to bleed the air-operated device and shuts off the airflow. The slide protects the exhaust ports and directs exhaust air away from the operator's hand.

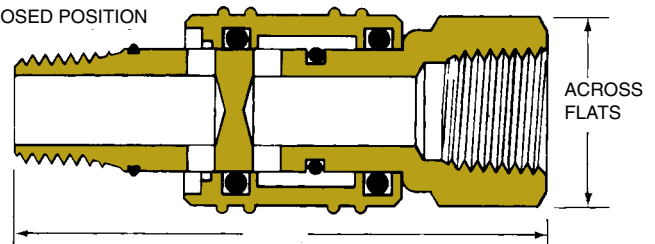
TOMCO slide valves are available with or without a detent which holds the sleeve in the open position against accidental closing due to vibration or gravitational pull.



OPEN POSITION



CLOSED POSITION



MALE THREAD

| | With Detent | Without Detent | O.A.L. | Hex Across Flats | Flow @ 100 psig inlet | |
|-----------|-------------|----------------|--------|------------------|-----------------------|------------------|
| | | | | | Pressure drop | Delivered volume |
| 1/8" NPTF | S1 | S1LD | 2.150" | 9/16" | 5 psig | 19 scfm |
| 1/4" NPTF | S2 | S2LD | 2.440" | 3/4" | 5 psig | 32 scfm |

TOMCO CHECK VALVES

Working Range:

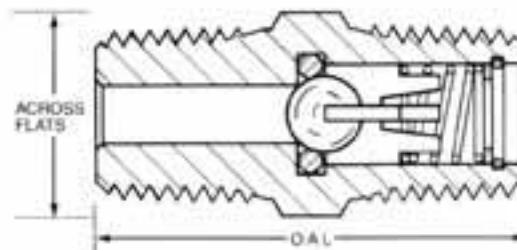
Maximum Operating Pressure;
To 1000 psig

Temperature: -40° to +230° F

Cracking Pressure: 1-2.5 psi

Available with elastomeric O-ring (Buna N*) for gas-tight seal or metal-to-metal leak-tight liquid seat. Brass body, stainless steel ball and spring, acetal ball guide.

* Other O-ring materials available. Please consult factory.



MALE THREAD

| | Cv | O-Ring Seat | Metal-to-Metal Seat | O.A.L. | Hex Across Flats | Maximum Recommended Flow (gpm) |
|-----------|------|-------------|---------------------|--------|------------------|--------------------------------|
| 1/4" NPTF | .60 | 1900D-15 | 1901D-15 | 1.375" | 9/16" | 2.5 |
| 3/8" NPTF | 1.00 | 1930D-20 | 1931D-20 | 1.625" | 3/4" | 6.0 |
| 1/2" NPTF | 2.00 | 1940D-25 | 1941D-25 | 2.000" | 7/8" | 10.0 |

SAFETY BLOW GUN



SERIES 605 1/4" NPTF inlet

- Trouble-free, unitized, die cast body
- When tip is fully obstructed, @ 150 PSI input, relieving side holes drop tip-pressure to a safe 14.5 PSI
- Complies with OSHA Section 1910, 242(b)
- Bright chrome finish
- Cushioned thumb-lever
- Convenient, integral, hanger hook

BLOW-CLEAN GUN



SERIES 610 1/4" NPTF inlet

- Rubber tip directs air jet for blow-cleaning surfaces or cavities
- Tip can't scratch or mar finished surfaces
- Body features same as Series 605, but WITHOUT safety side holes
- Should be used only with 30 PSI line pressure or less
- When rubber tip is removed, a 1/8" female pipe thread is available for attaching extension tubes and other accessories

AIR ADJUSTING VALVE (NOT A SHUT-OFF VALVE)



SERIES 1200 1/4" NPTF ports

- Permits accurate flow control in either direction
- Set knurled knob to desired flow rate
- Spring-loaded ratchet permits positive flow adjustment without drift
- Oil resistant seals prevent leakage

TOMCO GARDEN HOSE

Working Range:
Maximum Operating Pressure;
To 200 psig
Temperature: -40° to +200° F

SERIES GH

GARDEN HOSE THREAD



PLUG (Hose Stem)



PLUG



MANUAL COUPLER

| Size | Catalog No. | Catalog No. | Catalog No. |
|---------------------------|-------------|-------------|-------------|
| 5/8" Hose I.D. | GHP-10HB | - | - |
| 3/4"-11.5NH Male Thread | - | GHP | - |
| 3/4"-11.5NH Female Thread | - | - | GHC |

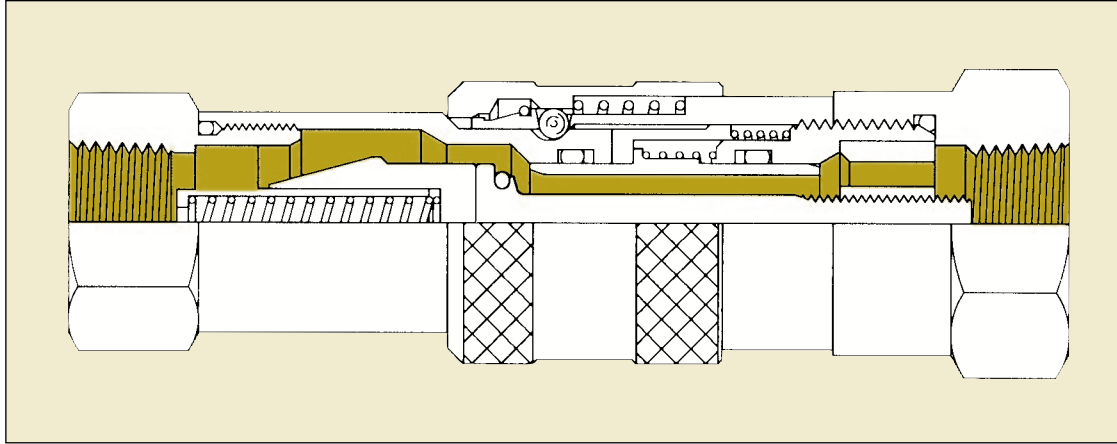
Dual Seal Water Service Design:

Ideal for frequent connect/disconnect water hose applications in industrial wash systems, food preparation plants, paper, agricultural watering, etc. O-ring in coupler body seals on the plug nose. Flat washer in coupler seals on the faucet thread.

FLUSH FACE

Double Shut-Off Quick-Couplers

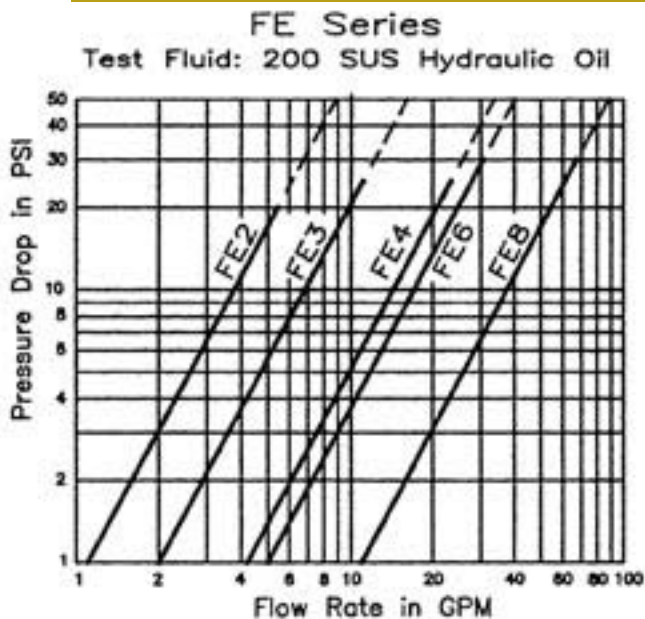
TOMCO Series FE



Tomco's FE Series, new generation of flush face couplers avoids many of the problems frequently experienced with other manufacturers' models of this type. The engineered coupler face-guide avoids annoying plug slip-off greatly simplifying coupling hook-up. These advanced flush face quick connects are especially useful with hydraulic hand tools and cylinders, construction equipment, mining and earth moving equipment as well as utilities' field equipment.

FE SERIES is an INTERNATIONAL interchange design intended for hydraulic service where fluid loss is undesirable. Available sizes 1/4" through 1", the Tomco **FE SERIES** is constructed of high strength anti-corrosion materials throughout. Steel components are hardened at all wear points and are heavily plated for extra corrosion resistance assuring longer useful service life. All standard seals are nitrile. The FE3 size conforms to all performance and dimensional requirements of ANSI/HTMA.

SERIES FE FLOW RATE



PERFORMANCE SPECIFICATIONS

| | FE2 | | FE3 | | FE4 | | FE6 | | FE8 | |
|-------------------------|------------------|--------|-------------------|--------|-------------------|--------|-------------------|--------|-------------------|--------|
| | Operating | Burst | Operating | Burst | Operating | Burst | Operating | Burst | Operating | Burst |
| COUPLED | 4,000 | 15,000 | 3,000 | 12,000 | 3,000 | 12,000 | 3,000 | 22,000 | 3,000 | 19,000 |
| PLUG | 4,000 | 11,500 | 3,000 | 12,000 | 3,000 | 12,000 | 3,000 | 11,000 | 3,000 | 11,000 |
| COUPLER | 4,000 | 7,000 | 3,000 | 12,000 | 3,000 | 12,000 | 3,000 | 6,250 | 3,000 | 7,250 |
| RATED FLOW | 5 GPM @ 20PSI ΔP | | 10 GPM @ 25PSI ΔP | | 21 GPM @ 25PSI ΔP | | 27 GPM @ 30PSI ΔP | | 55 GPM @ 30PSI ΔP | |
| SPILLAGE PER DISCONNECT | .015 ML | | .015 ML | | .020 ML | | .150 ML | | .200 ML | |
| INCLUSION PER CONNECT | .020 ML | | .020 ML | | .070 ML | | .100 ML | | .100 ML | |

DUST CAPS (PLASTIC)



TOMCO dust caps prevent contamination of disconnected fluid system. They prevent the introduction of dirt, grit, and other contaminants into the system through the series FE components.

| BODY SIZE | CAP FOR PLUG | CAP FOR COUPLER |
|-----------|--------------|-----------------|
| 3/8" | FP3DC | 5606DSC |

TOMCO DOUBLE SHUT-OFF FLUSH FACE

SERIES FE

INTERNATIONAL INTERCHANGE ISO 160.28

Working Range:
See performance rating chart and
flow graph. **page 14**

Temperature: -40° to +225° F



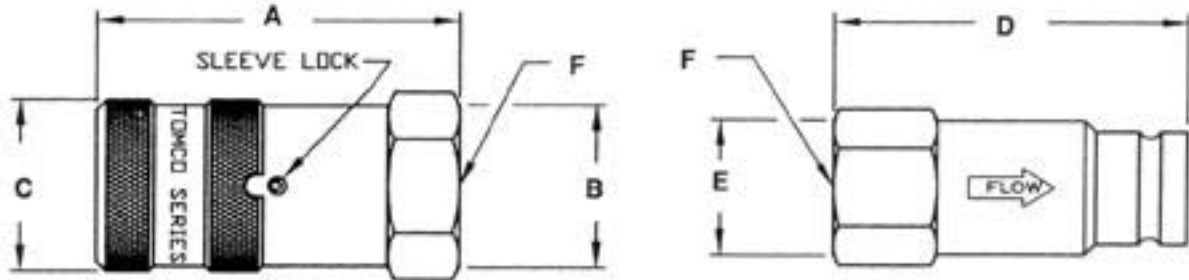
PLUG



AUTOMATIC COUPLER

| FE2 | Basic Size INCH ISO/MM | Female Thread | Plug Catalog No. | Coupler Catalog No. |
|-----|---------------------------|--|----------------------------|----------------------------|
| | 1/4" 6.3 MM | 1/4" NPTF | EP2-16 | EC2-16 |
| FE3 | | | | |
| | 3/8" 10 MM (HTMA) | 3/4"-16 UNF (ORB) 3/8" NPTF 1/2" NPTF | EP3-8 EP3-21 EP3-26 | EC3-8 EC3-21 EC3-26 |
| FE4 | | | | |
| | 1/2" 12.5MM | 1-1/16"-12UN (ORB) 1/2" NPTF 3/4" NPTF | EP4-12 EP4-26 EP4-31 | EC4-12 EC4-26 EC4-31 |
| FE6 | | | | |
| | 3/4" 16 MM | 3/4" NPTF | EP6-31 | EC6-31 |
| FE8 | | | | |
| | 1" 19MM | 1" NPTF | EP8-36 | EC8-36 |

Contact factory for specifications and drawings.



| COUPLER NO. | A OAL | B HEX | C DIA. | PLUG NO. | D OAL | E HEX | F THD |
|-------------|-------|--------------|--------|----------|-------|--------------|---------------|
| EC2-16 | 1.90 | 7/8" HEX | 1.11 | EP2-16 | 1.90 | 7/8" HEX | 1/4" NPT |
| EC3-8 | 2.73 | 1-1/8" HEX | 1.20 | EP3-8 | 2.75 | 1-1/16" HEX | 3/4"-16 UNF |
| EC3-21 | 2.53 | 1-1/8" HEX | 1.20 | EP3-21 | 2.56 | 15/16" HEX | 3/8" NPT |
| EC3-26 | 2.92 | 1-1/8" HEX | 1.20 | EP3-26 | 2.88 | 1-1/8" HEX | 1/2" NPT |
| EC4-12 | 3.44 | 1-3/8" HEX | 1.53 | EP4-12 | 3.13 | 1-3/8" HEX | 1-1/16"-12 UN |
| EC4-26 | 3.19 | 1-3/8" HEX | 1.53 | EP4-26 | 2.88 | 1-1/4" HEX | 1/2" NPT |
| EC4-31 | 3.31 | 1-3/8" HEX | 1.53 | EP4-31 | 3.00 | 1 3/8" HEX | 3/4" NPT |
| EC6-31 | 3.20 | 1-25/32" HEX | 1.65 | EP6-31 | 2.78 | 1-25/32" HEX | 3/4" NPT |
| EC8-36 | 3.67 | 1-13/16" HEX | 1.90 | EP8-36 | 3.25 | 1-13/16" HEX | 1" NPT |

TOMCO DOUBLE SHUT-OFF FLUSH FACE

3/8" BASIC SIZE

Series FF Working Range:
Maximum Operating Pressure:
10,000 psig.
(Burst pressure: 30,000 psig)
Rated Flow Capacity: 10 GPM
Temperature Range: -40° to
+225°F
Both plug and coupler must be
Tomco Products Series FF.



PLUG



AUTOMATIC COUPLER

SERIES FF

WORKING PRESSURE: 10,000 PSI

SERIES FF is a 10,000 PSI working pressure design intended for high pressure hydraulic cylinder service. This rugged design is manufactured of high strength hardened and tempered alloy steel components. Dimensional and flow specifications are the same as Series FE3. For data and flow graph see pg. 14.

| Female Thread | Plug Catalog No. | Coupler Catalog No. |
|---------------|------------------|---------------------|
| 3/8" NPTF | FP3-21 | FC3-21 |
| 1/2" NPTF | FP3-26 | FC3-26 |

Series FS Working Range:
Maximum Operating Pressure:
2,000 psig.
(Burst pressure: 12,000 psig)
Rated Flow Capacity: 10 GPM
Temperature Range: +20° to
+400°F (With std. Viton seals)
Both plug and coupler must be
Tomco Products Series FS.

SERIES FS

316 STAINLESS STEEL: 2,000 PSI

DUST CAPS (PLASTIC)



CAP

TOMCO dust caps prevent contamination of disconnected fluid system. They prevent the introduction of dirt, grit, and other contaminants into the system through the Series FF components.



PLUG



AUTOMATIC COUPLER

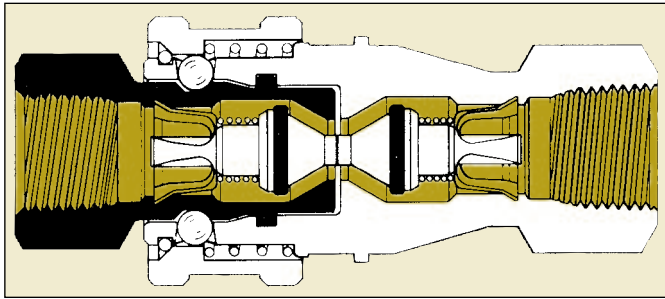
| BODY SIZE | CAP FOR PLUG | CAP FOR COUPLER |
|-----------|--------------|-----------------|
| 3/8" | FP3DC | 5606DC |

SERIES FS is all 316 stainless steel construction with standard Viton seals and is rated for pressures up to 2,000 PSI. This high flow corrosion resistant design is ideal for those chemical process and fluid transfer applications where spillage is undesirable. Sleeve locks and carbide locking balls are available as options, as well as a wide assortment of seal materials including Kalrez.

| Female Thread | Plug Catalog No. | Coupler Catalog No. |
|---------------|------------------|---------------------|
| 3/8" NPTF | FP3-21-316 | FC3-21-316 |

Double Shut-Off Quick-Couplers

TOMCO Series THK



TOMCO Series THK quick-couplers have fast-acting poppet valves in both the plug and coupler to effectively prevent fluid loss on disconnect.

Industry terminology for the THK series is "hydraulic couplings". However, they also find wide application on vacuum systems, steam, liquid, gases and other installations where fluid loss during connection or disconnection is undesirable.

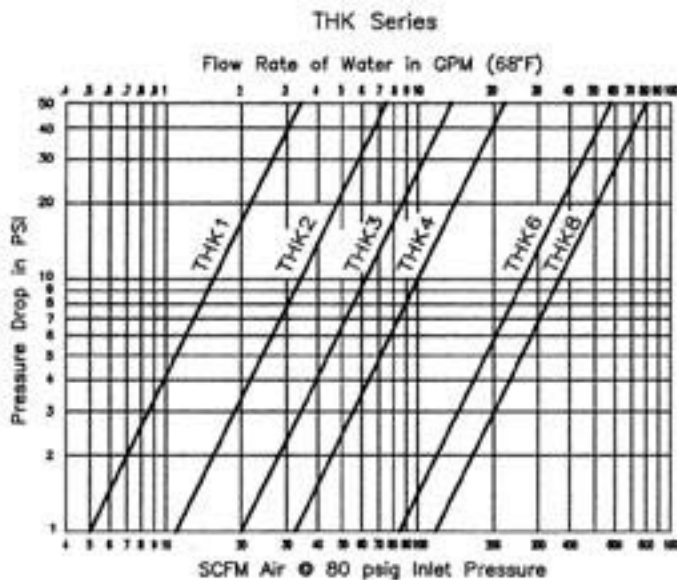
This superior quality line of quick-couplers is precision machined from solid bar stock for maximum wall strength. They are hardened at all points of extra stress and wear.

All interior THK components are corrosion resistant; manufactured of carefully selected materials to assure long, trouble-free, service life. Standard seals are Buna-N. Other materials are readily available to meet requirements of specific fluids and applications.

TOMCO's ball-locking mechanism is engineered for even load distribution; assures positive alignment, and allows hose-protecting swivel action. A sleeve locking option prevents accidental uncoupling in use.

Series THK quick-connects bring the user a unique combination of advantages including: high flow rate, low pressure drop, choice of body material, interchangeability with all leading industrial couplers, long service-free performance.

FLOW RATE



* The above ratings were established under standard conditions. High cycling rates, high amplitude shocks, etc. can affect the unit's service life negatively, even though pressures are within the coupler's rated range.

WORKING PRESSURE (PSI)/FLOW*

| Size | Max. Flow GPM | Steel | Brass | Stainless |
|------|---------------|-------|-------|-----------|
| 1/8" | 1 | 5,000 | 1,000 | 2,000 |
| 1/4" | 3 | 5,000 | 1,000 | 2,000 |
| 3/8" | 6 | 4,000 | 1,000 | 1,500 |
| 1/2" | 12 | 4,000 | 1,000 | 1,500 |
| 3/4" | 28 | 2,500 | 1,000 | 1,500 |
| 1" | 50 | 2,000 | 1,000 | 1,500 |

BURST STRENGTH (PSI)*

| Size | Steel | Brass | Stainless |
|------|--------|--------|-----------|
| 1/8" | 21,000 | 9,000 | 20,000 |
| 1/4" | 20,000 | 12,000 | 15,000 |
| 3/8" | 18,000 | 9,000 | 12,000 |
| 1/2" | 16,000 | 14,000 | 17,000 |
| 3/4" | 9,000 | 8,000 | 11,000 |
| 1" | 8,000 | 6,000 | 7,000 |

DUST CAPS AND PLUGS (Brass)

Tomco dust caps and plugs prevent contamination of disconnected fluid systems. They prevent the introduction of dirt, grit, and other contaminants into the system through the Series THK component.



| SIZE | DUST CAP | DUST PLUG |
|-------|----------|-----------|
| THK 1 | TK1D | TH1D |
| THK 2 | TK2D | TH2D |
| THK 3 | TK3D | TH3D |
| THK 4 | TK4D | TH4D |
| THK 6 | TK6D | TH6D |
| THK 8 | TK8D | TH8D |

TOMCO DOUBLE SHUT-OFF

SERIES THK ISO "B" INDUSTRIAL INTERCHANGE ISO "B"

Working Range: See Pressure Rating Chart on Page 17
Temperature: -40° to +225° F
Pressure Drop: See Graph on Page 17
Standard Seals: Nitrile



PLUG



MANUAL COUPLER

| STEEL | Catalog No. | Catalog No. |
|-----------------------|-------------|-------------|
| 1/8" | TK1-11 | TH1-11 |
| 1/4"† | TK2-16 | TH2-16 |
| 3/8"† | TK3-21 | TH3-21 |
| 1/2"† | TK4-26 | TH4-26 |
| 3/4"† | TK6-31 | TH6-31 |
| 1" | TK8-36 | TH8-36 |
| BRASS | | |
| 1/8" | TK1-11-002 | TH1-11-002 |
| 1/4"† | TK2-16-002 | TH2-16-002 |
| 3/8"† | TK3-21-002 | TH3-21-002 |
| 1/2"† | TK4-26-002 | TH4-26-002 |
| 3/4"† | TK6-31-002 | TH6-31-002 |
| 1"† | TK8-36-002 | TH8-36-002 |
| STAINLESS STEEL (303) | | |
| 1/8" | TK1-11-303 | TH1-11-303 |
| 1/4"† | TK2-16-303 | TH2-16-303 |
| 3/8"† | TK3-21-303 | TH3-21-303 |
| 1/2"† | TK4-26-303 | TH4-26-303 |
| 3/4"† | TK6-31-303 | TH6-31-303 |
| 1" | TK8-36-303 | TH8-36-303 |

SLEEVE LOCK OPTION (see price list): Specify by adding suffix SL to the coupler catalog number.

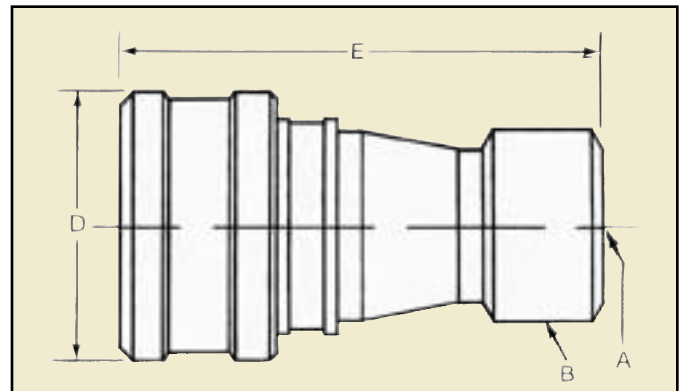
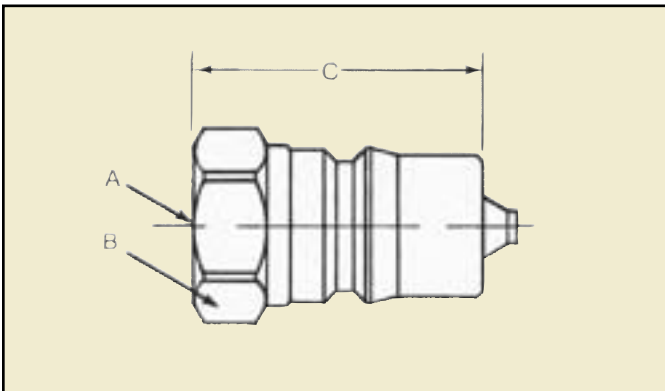
MATERIALS OF CONSTRUCTION

Steel Series: Zinc plated steel, stainless steel springs, chrome steel locking balls

Brass Series: Machined brass w/300 stainless locking balls and stainless steel springs

Stainless Series: All metal components manufactured from 303 stainless steel

| | A FEMALE PIPE THRD | B ACROSS FLATS | C PLUG LENGTH | D SLEEVE DIA. | E COUPLER LENGTH | F OVER ALL LENGTH COUPLED POSITION |
|------|--------------------------|--------------------------|---------------------|---------------------|------------------------|--|
| THK1 | 1/8" NPTF | 9/16 ^(.560) | 1.17 | .99 | 1.91 | 2.35 |
| THK2 | 1/4" NPTF | 3/4 ^(.750) | 1.40 | 1.18 | 2.27 | 2.84 |
| THK3 | 3/8" NPTF | 7/8 ^(.875) | 1.50 | 1.41 | 2.50 | 3.05 |
| THK4 | 1/2" NPTF | 1-1/8 ^(1.13) | 1.84 | 1.85 | 2.93 | 3.71 |
| THK6 | 3/4" NPTF | 1-5/16 ^(1.31) | 2.16 | 2.21 | 3.56 | 4.33 |
| THK8 | 1" NPTF | 1-5/8 ^(1.63) | 2.58 | 2.58 | 4.18 | 5.20 |



Double Shut-Off for Hydraulic Service

SERIES THK12 ISO "B"

INDUSTRIAL INTERCHANGE ISO "B"

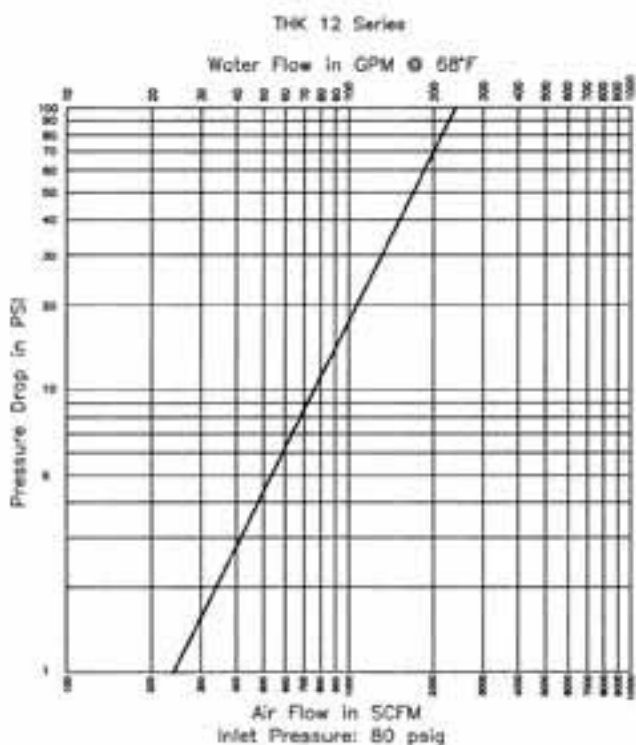
TOMCO Series THK12 couplers are ideal for large volume hydraulic return lines and other high volume fluid transfer applications. To meet specific application requirements, these couplers are available in brass, steel, and 303 stainless steel.



All TOMCO Series THK12 couplers feature double o-rings and heavy-duty construction throughout. Steel sleeves and plugs are heat treated and heavily plated for superior corrosion resistance.

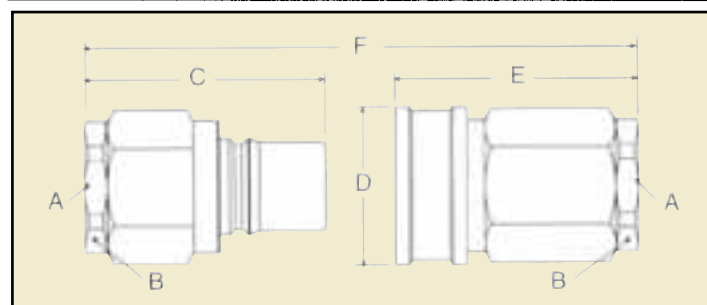
| STEEL | Basic Size | Thread | Plug Catalog No. | Coupler Catalog No. |
|------------------------------|------------|-------------|------------------|---------------------|
| | 1-1/2" | 1-1/4" NPTF | TK12-41 | TH12-41 |
| | 1-1/2" | 1-1/2" NPTF | TK12-46 | TH12-46 |
| BRASS | | | | |
| | 1-1/2" | 1-1/4" NPTF | TK12-41-002 | TH12-41-002 |
| | 1-1/2" | 1-1/2" NPTF | TK12-46-002 | TH12-46-002 |
| STAINLESS STEEL (303) | | | | |
| | 1-1/2" | 1-1/4" NPTF | TK12-41-303 | TH12-41-303 |
| | 1-1/2" | 1-1/2" NPTF | TK12-46-303 | TH12-46-303 |

FLOW RATE



PRESSURE RATINGS

| Basic Size | Material | Working Pressure (PSI) | Burst Strength (PSI) |
|------------|-----------|------------------------|----------------------|
| 1-1/2" | Steel | 1,500 | 6,000 |
| | Brass | 1,500 | 4,000 |
| | Stainless | 1,500 | 6,000 |



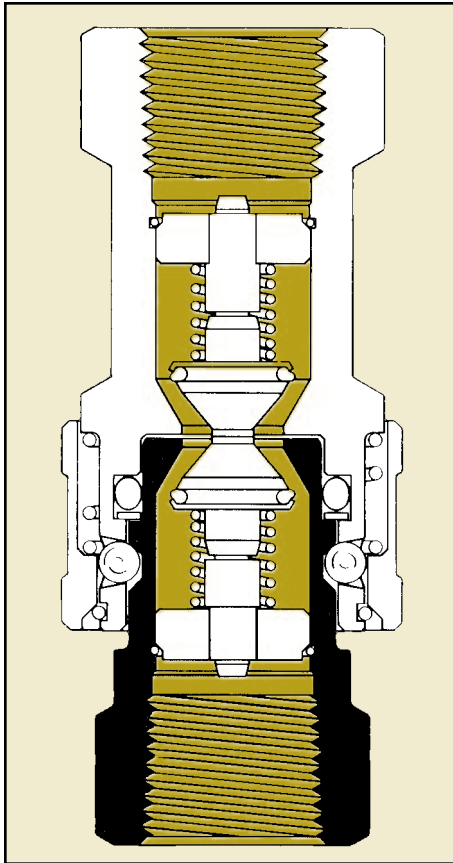
DIMENSIONS All dimensions are in inches.

| A Thread | B Across Flats | C Plug OAL | D Sleeve Dia. | E Coupler OAL | F OAL Coupled |
|-------------|----------------------|------------------|---------------------|---------------------|---------------------|
| 1-1/4" NPTF | 2.38 | 4.77 | 3.13 | 4.82 | 7.52 |
| 1-1/2" NPTF | 2.38 | 4.77 | 3.13 | 4.82 | 7.52 |

Continuing manufacturing and engineering advances may cause changes to the data shown.

Double Shut-Off General Purpose

TOMCO Series A5600



TOMCO Series A5600 quick-couplers offer the product designer and processing engineer a full choice of interchangeable units with valving to exactly suit functional requirements without unnecessary costs.

These "general purpose" quick-couplers are engineered for a full range of hydraulic applications.

Both couplers and plugs are precision machined from solid steel bar stock for maximum strength. They are hardened at critical stress/wear points and are heavily plated.

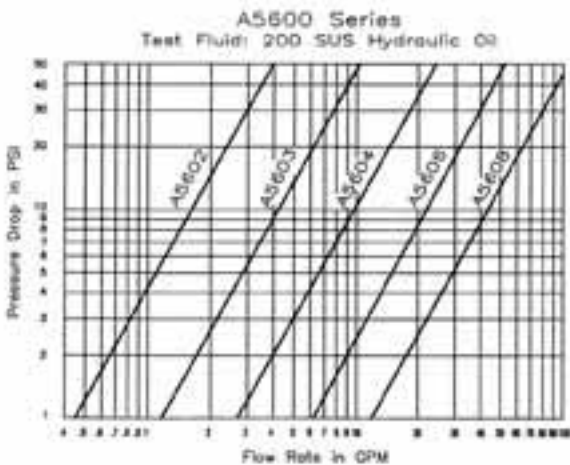
All interior Series A5600 components are manufactured of carefully selected materials to assure long, trouble-free, service life. Standard seals are Buna-N. Other materials are readily available to meet the specific requirements of various fluids and applications.

TOMCO's ball-locking mechanism provides even load distribution, assures positive alignment and provides hose-protecting swivel action.

Series A5600 quick connects bring the user an unusual combination of advantageous features including: high flow rate, low pressure drop, interchangeability with all leading "general purpose" couplers and superior trouble-free performance.

TOMCO Series A5600 meets, or exceeds, ISO 7241-1, Series "A" specifications.

FLOW RATE



PRESSURE RATINGS/FLOW GPM

| SIZE | MAX. FLOW | WORKING PRESSURE | | BURST STRENGTH | |
|------|-----------|------------------|-----|----------------|------|
| | | psi | bar | psi | bar |
| 1/4" | 3 | 5,000 | 345 | 15,000 | 1034 |
| 3/8" | 6 | 4,000 | 276 | 12,000 | 827 |
| 1/2" | 12 | 4,000 | 276 | 12,000 | 827 |
| 3/4" | 28 | 4,000 | 276 | 12,000 | 827 |
| 1" | 50 | 4,000 | 276 | 12,000 | 827 |

* The above ratings were established by carefully controlled laboratory tests including burst tests and multiple-cycle impulse tests. Uncontrollable field conditions such as: rapid cycling rates, high amplitude shocks, etc. can affect the unit's service-life negatively, even though pressures are within the coupler's rated range.

(ISO "A") Couplers

TOMCO

DOUBLE SHUT-OFF

SERIES A5600

GENERAL PURPOSE ISO "A"

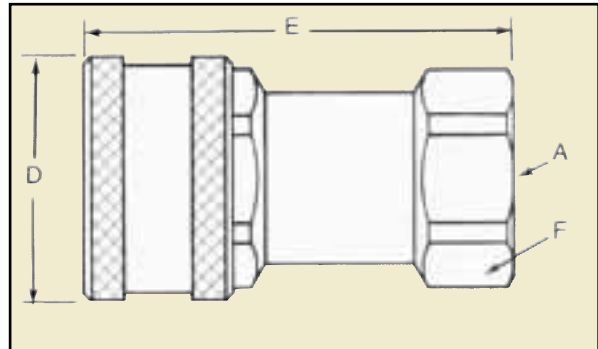
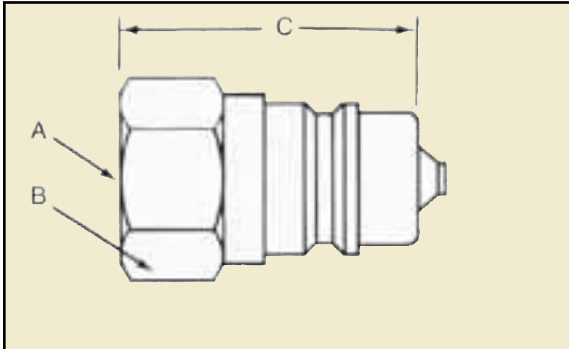
HEAVY DUTY PLUGS AVAILABLE. SEE CATALOG NUMBERS BELOW PLUG PICTURE.

Working Range: See Pressure Rating Chart on Page 20
Temperature: -40° to +225°F
Pressure Drop: See Graph on Page 20



*Heavy duty plugs are manufactured from high-strength steel and induction hardened. They are ideal for high cycling applications.

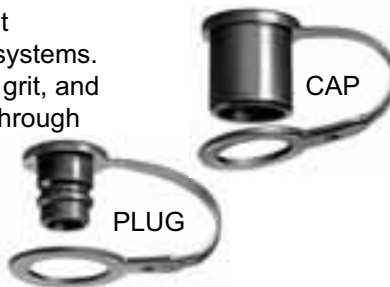
| | Catalog No. | Catalog No. | Catalog No. |
|-------------------|----------------------|-------------------------|-----------------|
| BASIC SIZE | STANDARD PLUG | HEAVY DUTY PLUG* | COUPLER |
| 1/4" | PA5602-16 | - | CA5602-16 |
| 3/8" | PA5603-21 | - | CA5603-21 |
| 1/2" | PA5604-8 (ORB) | - | CA5604-8 (ORB) |
| 1/2" | PA5604-10 (ORB) | - | CA5604-10 (ORB) |
| 1/2" | PA5604-26 | PA5604-26HD | CA5604-26 |
| 1/2" | PA5604-31 | - | CA5604-31 |
| 3/4" | PA5606-31 | PA5606-31HD | CA5606-31 |
| 1" | PA5608-36 | PA5608-36HD | CA5608-36 |



| SERIES NUMBER | A BASIC SIZE | B ACROSS FLATS | C PLUG LGTH. | D SLEEVE DIA. | E COUPLER LGTH. | F ACROSS FLATS | G COUPLED O.A.L. |
|---------------|--------------|----------------|--------------|---------------|-----------------|----------------|------------------|
| A5602 | 1/4" | .75 | 1.27 | 1.08 | 1.83 | .88 | 2.55 |
| A5603 | 3/8" | .88 | 1.40 | 1.26 | 2.09 | 1.06 | 2.80 |
| A5604 | 1/2" | 1.06 | 1.82 | 1.52 | 2.70 | 1.25 | 3.63 |
| A5606 | 3/4" | 1.38 | 2.29 | 1.90 | 3.36 | 1.63 | 4.61 |
| A5608 | 1" | 1.63 | 2.58 | 2.15 | 3.97 | 1.88 | 5.30 |

DUST CAPS AND PLUGS (PLASTIC)

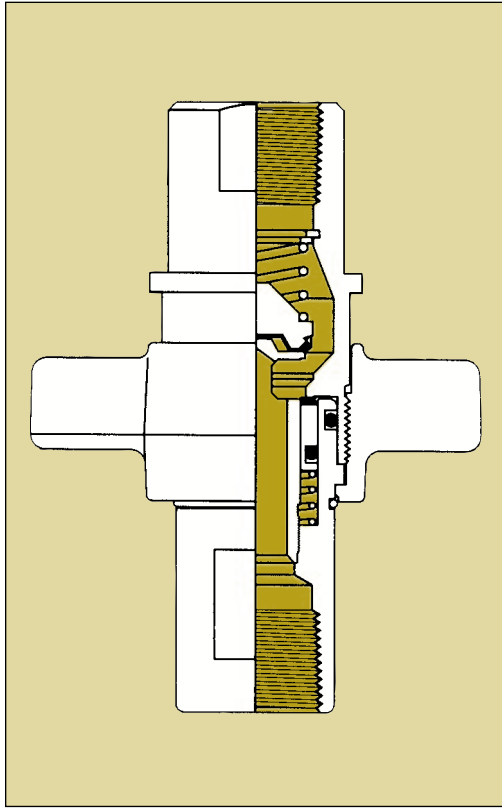
TOMCO dust caps and plugs prevent contamination of disconnected fluid systems. They prevent the introduction of dirt, grit, and other contaminants into the system through the Series A5600 components.



| SIZE | DUST CAP | DUST PLUG |
|------|----------|-----------|
| 1/4" | 5602DC | 5602DP |
| 3/8" | 5603DC | 5603DP |
| 1/2" | 5604DC | 5604DP |
| 3/4" | 5606DC | 5606DP |
| 1" | 5608DC | 5608DP |

Thread-to-Connect Under Pressure

TOMCO Series A5100



Couple Under Pressure

TOMCO Series A5100 quick-couplers are engineered to provide the extra assembly forces required to make or break connection against trapped or active hydraulic pressures up to 500 psig.

Easier to Connect

Integral "hammer-wings" on the steel coupler sleeve transmit required assembly force. Wrench flats are also provided on both the plug and the coupler for final tightening if needed. Added mechanical advantage is supplied by the connecting threads on the plug and coupler.

Space Saving Hex Nut

When assembly in close spaces precludes the use of "wings", an alternate, space saving hex nut driven coupler is available.

Extra Design Features

Series A5100 is designed to meet the extra strength and endurance requirements of roust-about usage under tough environments. Features include: precision machined anti-corrosion brass bodies, cast steel coupler sleeves, stainless steel springs, brass valves with tubular tempered steel stems, and bonded Nitrile seals.

Visual Coupling Guide

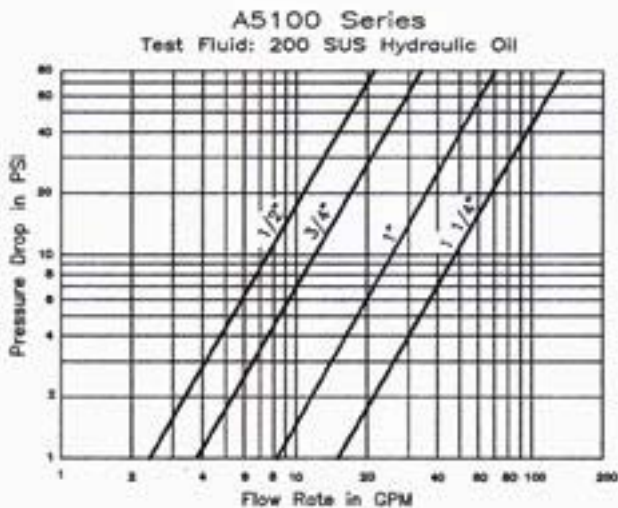
Visual proof of proper connections is afforded by an incised groove on all Series A5100 plugs. When the coupler sleeve is assembled flush against the groove on the plug, the connection is completed. The operator is thus assured that the poppets are fully open and maximum operating efficiency has been achieved.

Dust Caps and Plugs (Brass)

TOMCO dust caps and plugs prevent contamination of disconnected fluid systems. They prevent the introduction of dirt, grit and other contaminants into the system through the Series A5100 components.

TOMCO bulkhead mounting of flanges are also recommended where such installation is planned. See page 23.

FLOW RATE



PRESSURE RATINGS

| HOSE I.D. | WORKING PRESSURE (PSI) | BURST STRENGTH (PSI) |
|-----------|------------------------|----------------------|
| 3/4" | 3,000 | 9,000 |
| 1" | 3,000 | 9,000 |
| 1-1/4" | 2,750 | 8,250 |

Disconnected burst strength of plugs 51P-20 and 51PF-20 is 7,500 psig.

Quick-Connects

TOMCO

DOUBLE SHUT-OFF

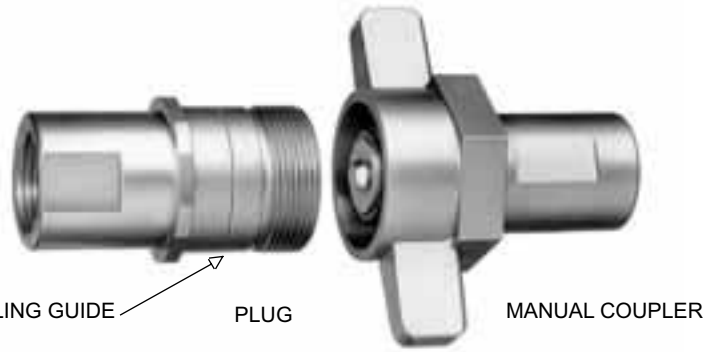
SERIES A5100

COUPLE UNDER PRESSURE

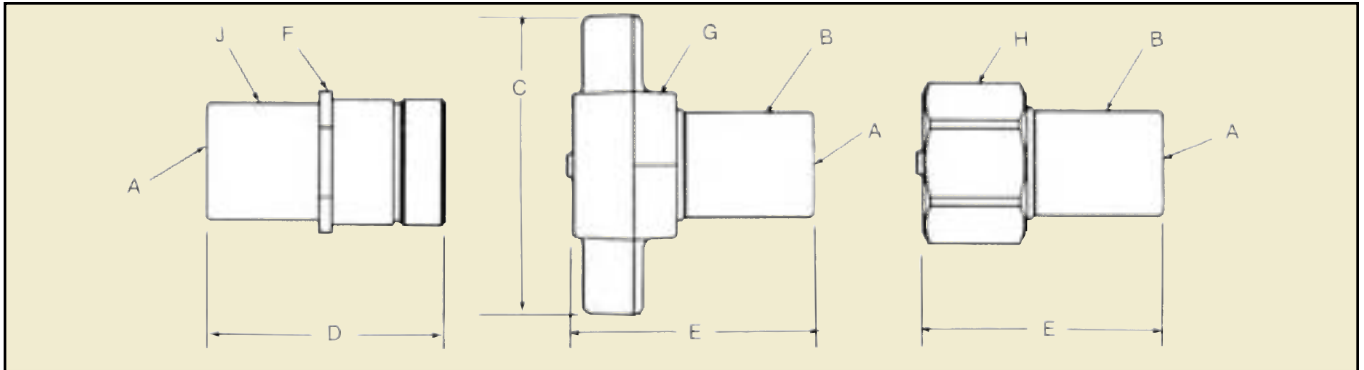
Working Range:
 Maximum Operating Pressure;
 See Pressure Chart on Page 22
Temperature: -40° to +225°F
Standard Seals: Bonded Nitrile

SUITEABLE FOR COUPLING AND UNCOUPLING AT PRESSURES UP TO 500 PSIG.

VISUAL COUPLING GUIDE
 See Page 22



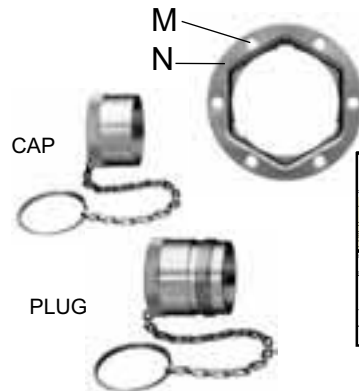
| Catalog No. | | | | Catalog No. | |
|-------------|-------------|-----------------|----------------|-------------------|--------------------|
| SIZE | THREAD | PLUG W/O FLANGE | PLUG W/ FLANGE | COUPLER W/"WINGS" | COUPLER W/ HEX NUT |
| 3/4" | 1/2" NPTF | 51P-8 | 51PF-8 | 51W-8 | 51H-8 |
| 3/4" | 3/4" NPTF | 51P-12 | 51PF-12 | 51W-12 | 51H-12 |
| 1" | 1" NPTF | 51P-16 | 51PF-16 | 51W-16 | 51H-16 |
| 1-1/4" | 1-1/4" NPTF | 51P-20 | 51PF-20 | 51W-20 | 51H-20 |



| BODY SIZE | A FEMALE PIPE THREAD | B ACROSS FLATS | C ACROSS "WINGS" | D PLUG LENGTH | E COUPLER LENGTH | F PLUG HEX | G COUPLER HEX | H COUPLER HEX | J ACROSS FLATS |
|-----------|----------------------|----------------|------------------|---------------|------------------|------------|---------------|---------------|----------------|
| 3/4" | 1/2" NPTF | 1.16 | 4.06 | 3.12 | 3.09 | 1.63 | 1.81 | 1.750 | 1.19 |
| 3/4" | 3/4" NPTF | 1.16 | 4.06 | 3.12 | 3.09 | 1.63 | 1.81 | 1.750 | 1.19 |
| 1" | 1" NPTF | 1.44 | 4.40 | 3.55 | 3.68 | 1.88 | 2.25 | 2.125 | 1.56 |
| 1-1/4" | 1-1/4" NPTF | 1.88 | 5.20 | 3.72 | 3.98 | 2.13 | 2.625 | 2.500 | 1.88 |

DUST CAPS AND PLUGS (Brass)

| BODY SIZE | DUST CAP | DUST PLUG |
|-----------|----------|-----------|
| 3/4" | 51DC-12 | 51DP-12 |
| 1" | 51DC-16 | 51DP-16 |
| 1-1/4" | 51DC-20 | 51DP-20 |



BULKHEAD FLANGE

| BODY SIZE | FLANGE | M MOUNTING HOLE | N HOLE CTR. CIRCLE DIA. |
|-----------|--------|-----------------|-------------------------|
| 3/4" | 51F-12 | .201 | 2.12 |
| 1" | 51F-16 | .201 | 2.38 |
| 1-1/4" | 51F-20 | .201 | 2.62 |

TOMCO Double Shut-Off 10,000 PSI

SERIES JC

HIGH PRESSURE

TOMCO Series JC is a premium quality, high pressure coupling designed for hydraulic ram service up to 10,000 psi. The TOMCO JC Series incorporates unique high flow tempered steel poppet valves which produce 50% less pressure loss than ball check types. Series JC couplers are manufactured from high strength stress relieved steel and are heavily plated for superior corrosion resistance and include specially designed custom nitrile valve seals and polyurethane coupler o-rings. The threaded screw-together design may be coupled by hand at pressures up to 1,000 psi. The sleeve wrench pads aid in breaking tight connections.



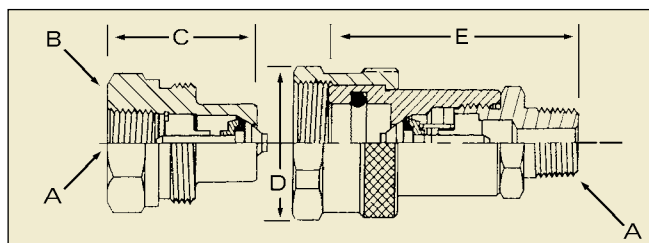
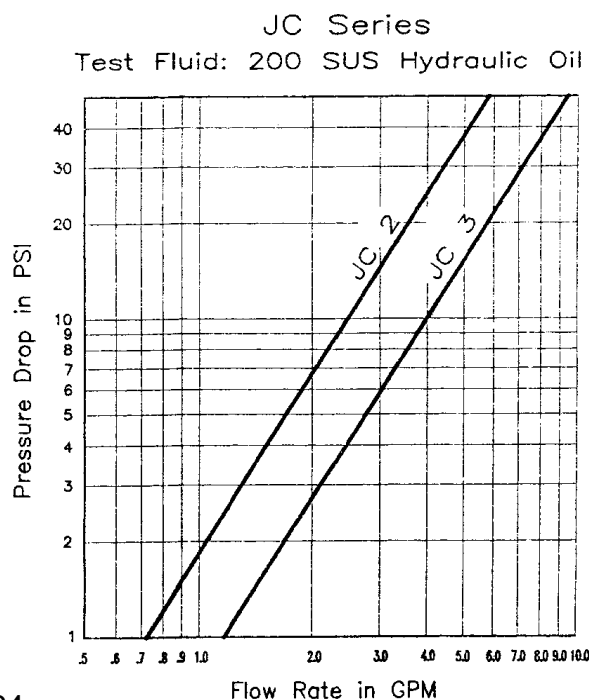
PLUG

COUPLER

| Series | Thread | Plug Catalog No. | Thread | Coupler Catalog No. |
|--------|------------------|------------------|----------------|---------------------|
| JC2 | 1/4" NPTF-Female | JP2-16 | 1/4" NPTF-Male | JC2-15 |
| JC3 | 3/8" NPTF-Female | JP3-21 | 3/8" NPTF-Male | JC3-20 |

PERFORMANCE SPECIFICATIONS

| | JC2 | JC3 |
|--|-----------------|-------------|
| RATED OPERATING PRESSURE: | 10,000 PSIG | 10,000 PSIG |
| BURST PRESSURE: | 30,000 PSIG | 27,000 PSIG |
| RATED FLOW: | 3 GPM | 6 GPM |
| TEMPERATURE RANGE WITH STANDARD SEALS: | -40° TO +180° F | |



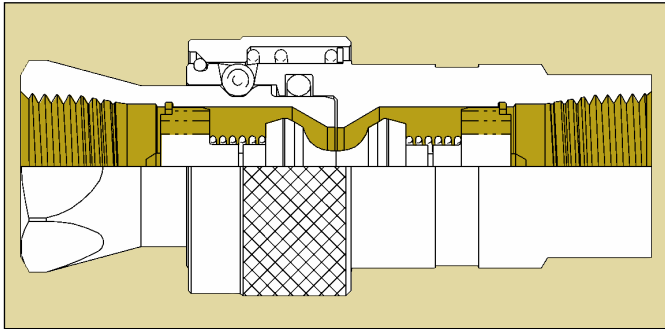
| SERIES NUMBER | A THREAD | B HEX | C LENGTH | D SLEEVE | E LENGTH | F=O.A.L. COUPLED |
|---------------|-----------|-------|----------|----------|----------|------------------|
| JC2 | 1/4" NPTF | 1.13 | 1.33 | 1.13 | 2.36 | 2.94 |
| JC3 | 3/8" NPTF | 1.25 | 1.25 | 1.38 | 2.57 | 3.11 |

| Combination Dust Plugs and Caps | |
|---------------------------------|-----------------------------|
| Body Size | Combination Plug/Cap Number |
| 1/4" | JC2-DCP |
| 3/8" | JC3-DCP |



Double Shut-Off for Hydraulic Service

TOMCO Series PC General Purpose Couplers



TOMCO Series PC leak tight hydraulic couplers combine a rugged, time-tested design, with advanced heavy duty valve designs and solid steel bar stock construction throughout. All major load bearing and wear components

are heat treated for rugged service and heavily plated for corrosion resistance. They are ideal for agricultural, construction, forestry, and snow plow applications.

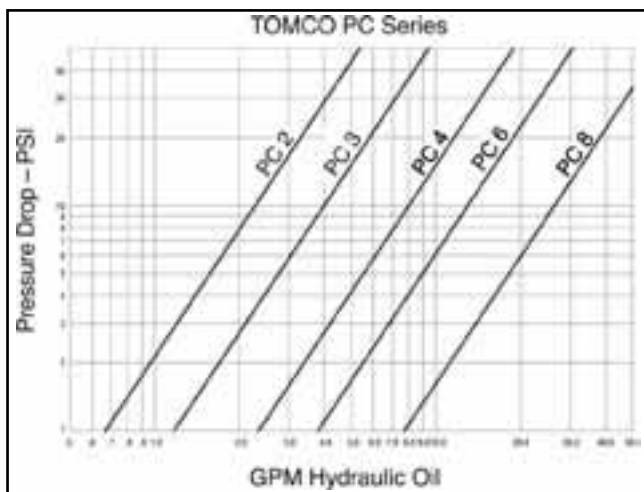
Features

- Heavy duty heat treated poppet valves are standard with rugged, specially-designed seals made of nitrile for long leak-free performance in the toughest applications. No leaky ball checks or valve seal blow-outs with TOMCO Series PC couplers.
- High-strength steel valve guides designed for high flow rates and made extra tough for agricultural and snow plow service.
- Dependable hardened chrome alloy steel locking balls.
- Heat treated plugs and sleeves.

PERFORMANCE SPECIFICATIONS

| | PC2 | PC3 | PC4 | PC6 | PC8 |
|--|-------------|-------------------|-------------|-------------|-------------|
| Rated Operating Pressure | 3,000 PSIG | 3,000 PSIG | 3,000 PSIG | 3,500 PSIG | 3,000 PSIG |
| Burst Pressure | 12,000 PSIG | 12,000 PSIG | 12,000 PSIG | 14,000 PSIG | 12,000 PSIG |
| Rated Flow | 3 GPM | 6 GPM | 12 GPM | 28 GPM | 50 GPM |
| Cv | .68 | 1.2 | 2.5 | 3.8 | 7.7 |
| Temperature range with seals made of Nitrile | | -40° F to +225° F | | | |

FLOW RATE



DUST CAPS AND PLUGS (Plastic)

TOMCO dust caps and plugs prevent contamination of disconnected fluid systems. They prevent the introduction of dirt, grit, and other contaminants through Series PC components.



| Size | Dust Cap | Dust Plug |
|------|----------|-----------|
| 1/4" | PC2DC | PC2DP |
| 3/8" | PC3DC | PC3DP |
| 1/2" | 5604DC | 5604DP |

Continuing manufacturing and engineering advances may cause changes to the data shown.

Series PC

PIONEER 4000 SERIES INTERCHANGE

Double Shut-Off General Purpose Hydraulic Couplers with Hardened Steel Poppets



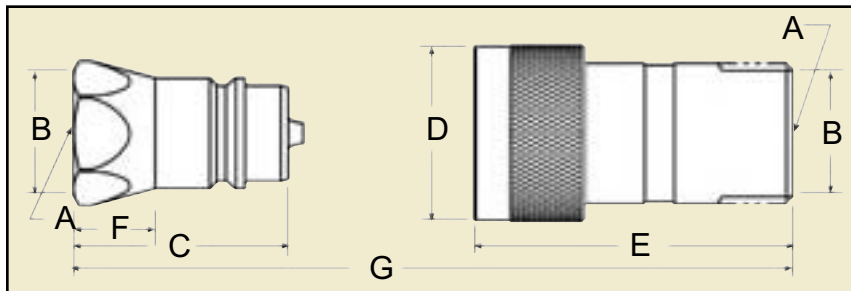
PLUG

COUPLER

SELECTION

| Series | Size | Catalog No. Female Thread | Catalog No. Plug | Catalog No. Coupler |
|--------------------|------|---------------------------|------------------|---------------------|
| PC2 | 1/4" | 1/4" NPTF | P2-16 | C2-16 |
| PC3 | 3/8" | 3/8" NPTF | P3-21 | C3-21 |
| PC4 ⁽¹⁾ | 1/2" | 3/4"-16 UNF (ORB) | P4-8 | C4-8 |
| | | 7/8"-14 UNF (ORB) | P4-10 | C4-10 |
| | | 1/2" NPTF | P4-26 | C4-26 |
| | | 3/4" NPTF | P4-31 | C4-31 |
| PC6 | 3/4" | 3/4" NPTF | P6-31 | C6-31 |
| PC8 | 1" | 1" NPTF | P8-36 | C8-36 |

⁽¹⁾PC4 series conforms with ISO 5675 requirements for agricultural quick couplers.



DIMENSIONS All dimensions are in inches

| | Number | A Female Thread | B Across Flats | C Plug Length | D Sleeve Dia. | E Coupler Length | F Flat Length | G Coupled O.A.L. |
|----------------|-------------|-----------------|----------------|---------------|---------------|------------------|---------------|------------------|
| Plug | P2-16 | 1/4" NPTF | 0.75 | 1.30 | - | - | 0.57 | 2.56 |
| | P3-21 | 3/8" NPTF | 0.88 | 1.50 | - | - | 0.63 | 2.94 |
| | P4-8 (ORB) | 3/4"-16 UNF | 1.06 | 1.82 | - | - | 0.88 | 3.58 |
| | P4-10 (ORB) | 7/8"-14 UNF | 1.13 | 1.82 | - | - | 0.88 | 3.58 |
| | P4-26 | 1/2" NPTF | 1.06 | 1.82 | - | - | 0.88 | 3.57 |
| | P4-31 | 3/4" NPTF | 1.38 | 1.85 | - | - | 0.93 | 3.68 |
| | P6-31 | 3/4" NPTF | 1.31 | 2.34 | - | - | 0.94 | 4.17 |
| | P8-36 | 1" NPTF | 1.63 | 2.50 | - | - | 0.99 | 4.74 |
| Coupler | C2-16 | 1/4" NPTF | 0.88 | - | 1.06 | 1.99 | - | 2.56 |
| | C3-21 | 3/8" NPTF | 0.94 | - | 1.31 | 2.31 | - | 2.94 |
| | C4-8 (ORB) | 3/4"-16 UNF | 1.06 | - | 1.52 | 2.70 | - | 3.58 |
| | C4-10 (ORB) | 7/8"-14 UNF | 1.25 | - | 1.52 | 2.70 | - | 3.58 |
| | C4-26 | 1/2" NPTF | 1.06 | - | 1.52 | 2.70 | - | 3.57 |
| | C4-31 | 3/4" NPTF | 1.38 | - | 1.52 | 2.69 | - | 3.68 |
| | C6-31 | 3/4" NPTF | 1.38 | - | 1.83 | 3.23 | - | 4.17 |
| | C8-36 | 1" NPTF | 1.63 | - | 2.18 | 3.75 | - | 4.74 |

Continuing manufacturing and engineering advances may cause changes to the data shown.

TOMCO DOUBLE ACTING SLEEVE

Double acting sleeve fits standard agricultural mounting clamps and permits one handed operation to connect or disconnect. Tomco Series CD sleeves are heat treated and contain chrome alloy steel locking balls for superior durability. Series CD couplers include hardened steel poppet valves with rugged nitrile seals for long leak-free performance and high strength valve guides, made extra tough for agricultural, construction, and forestry service. All major load bearing and wear components are heat treated for long durable service and are heavily plated for superior corrosion resistance. Series CD couplers fit Tomco PC Series (Pioneer style) plugs and are available in 3/8" and 1/2" body sizes.

SERIES CD PIONEER INTERCHANGE



PLUG

COUPLER

| SERIES | SIZE | FEMALE THREAD | CATALOG NO. PLUG | CATALOG NO. COUPLER |
|--------|------|--|---------------------------------|---------------------|
| CD3 | 3/8" | 3/8" NPTF | P3-21 | CD3-21 |
| CD4 | 1/2" | 3/4"-16 UNF (ORB) 7/8"-14 UNF (ORB) 1/2" NPTF 3/4" NPTF | P4-8 P4-10 P4-26 P4-31 | CD4-26 |

PERFORMANCE SPECIFICATIONS

| | |
|---------------------------|------------------|
| RATED OPERATING PRESSURE: | 3,000 PSIG |
| BURST PRESSURE: | 12,000 PSIG |
| RATED FLOW: | 12 GPM |
| TEMPERATURE RANGE: | -40° F TO 225° F |

TOMCO COUPLE UNDER PRESSURE

Specially designed double valving permits coupling at full system pressure. Either or both coupler or plug may be pressurized. Valves open automatically when the system is operated. Double acting sleeve fits standard agricultural mounting clamps and bulkheads. Series CU sleeves are heat treated for long durability with chrome alloy steel locking balls. All major load bearing and wear components are heat treated for rugged service and are heavily plated for superior corrosion resistance. Series CU couplers fit Tomco PC4 Series (Pioneer style) plugs.

SERIES CU PIONEER INTERCHANGE



PLUG

COUPLER

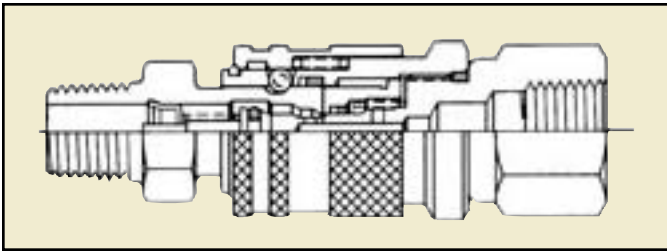
| SERIES | SIZE | FEMALE THREAD | CATALOG NO. PLUG | CATALOG NO. COUPLER |
|--------|------|--|---------------------------------|---------------------|
| CU4 | 1/2" | 3/4"-16 UNF (ORB) 7/8"-14 UNF (ORB) 1/2" NPTF 3/4" NPTF | P4-8 P4-10 P4-26 P4-31 | CU4-26 |

PERFORMANCE SPECIFICATIONS

| | |
|---------------------------|------------------|
| RATED OPERATING PRESSURE: | 3,000 PSIG |
| BURST PRESSURE: | 12,000 PSIG |
| RATED FLOW: | 12 GPM |
| TEMPERATURE RANGE: | -40° F TO 225° F |

Diagnostic Test Port Quick-Couplers

TOMCO Series DK. Double Shut-Off



TOMCO Series DK diagnostic test port couplers are designed for permanent hydraulic system installation to provide an easy and convenient means of connection with pressure gauges, temperature sensors and other diagnostic instruments. The convenient flush face style design reduces spillage and inclusion during coupling. Tomco DK Series plugs are precision machined from high tensile steel, and tempered for superior performance.

The DK Series couplers include chrome steel locking balls, heat treated locking sleeves, and nitrile seals with Teflon back-up rings for continuous service at pressures up to 6,000 psi.

FEATURES:

HIGH STRENGTH PLUGS

MINIMUM SPILL DESIGN

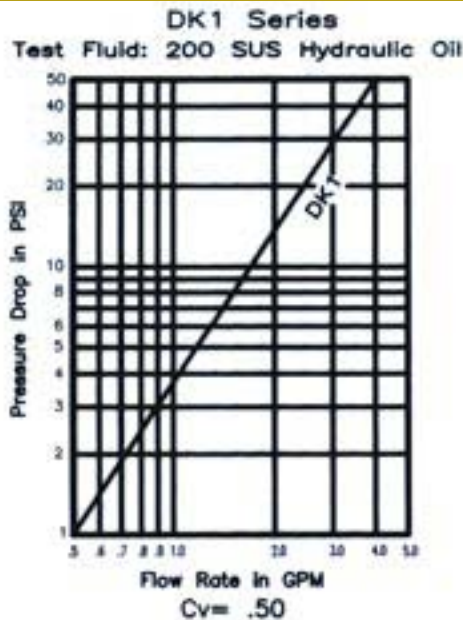
TEFLON BACK-UP RINGS

HEAVY DUTY HEAT TREATED LOCKING MECHANISMS

Series DK Performance Specifications:

| | |
|--|----------------------|
| RATED OPERATING PRESSURE: | 6,000 PSIG |
| BURST PRESSURE: | 30,000 PSIG |
| RATED FLOW: | 1.0 GPM (4 GPM MAX.) |
| Cv: | .50 |
| VACUUM RATING: | 28 IN/HG |
| AIR INCLUSION: | .02 CC |
| SPILLAGE: | .10 CC |
| TEMPERATURE RANGE WITH STANDARD NITRILE SEALS: -40° TO +225° F | |

FLOW RATE



| DUST CAP | |
|----------|----------|
| | Part No. |
| | DK1C |

TOMCO Double Shut-Off Diagnostic Couplers

SERIES DK

DIAGNOSTIC COUPLERS

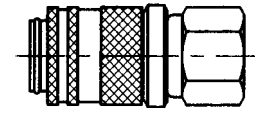
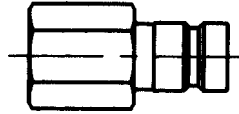


plug

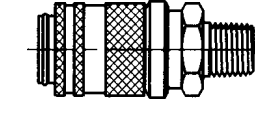
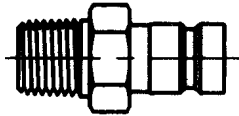


coupler

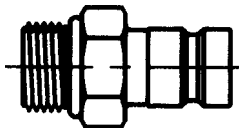
| FEMALE THREAD | Catalog No. | Catalog No |
|------------------------|------------------|------------------|
| 1/8" NPTF 1/4" NPTF | KP1-11 KP1-16 | KC1-11 KC1-16 |



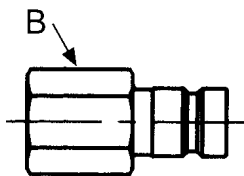
| MALE THREAD | Catalog No. | Catalog No |
|------------------------|------------------|-------------|
| 1/8" NPTF 1/4" NPTF | KP1-10 KP1-15 | - KC1-15 |



| MALE O.R.B. | Catalog No. |
|------------------------|----------------|
| 7/16 - 20 9/16 - 18 | KP1-4 KP1-6 |

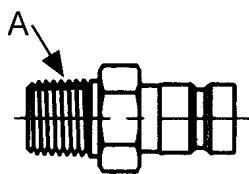


Dimensions - All dimensions are in inches

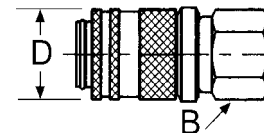


| PART NO. | A FEMALE NPTF | B HEX SIZE | C |
|----------|---------------|------------|------|
| KP1-11 | 1/8" | .56 | 1.49 |
| KP1-16 | 1/4" | .75 | 1.61 |

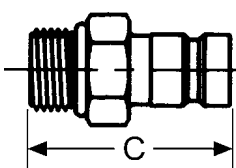
| PART NO. | A FEMALE NPTF | B HEX SIZE | D | E |
|----------|---------------|------------|-----|------|
| KC1-11 | 1/8" | .81 | .96 | 1.67 |
| KC1-16 | 1/4" | .81 | .96 | 2.12 |



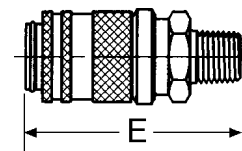
| PART NO. | A MALE NPTF | B HEX SIZE | C |
|----------|-------------|------------|------|
| KP1-10 | 1/8" | .69 | 1.58 |
| KP1-15 | 1/4" | .69 | 1.52 |



| PART NO. | A MALE NPTF | B HEX SIZE | D | E |
|----------|-------------|------------|-----|------|
| KC1-15 | 1/4" | .81 | .96 | 2.26 |



| PART NO. | A MALE ORB | B HEX SIZE | C |
|----------|------------|------------|------|
| KP1-4 | 7/16 - 20 | .69 | 1.56 |
| KP1-6 | 9/16 - 18 | .69 | 1.38 |



TOMCO STRAIGHT THROUGH

SERIES ST

INDUSTRIAL INTERCHANGE

Working Range:
See Pressure Chart Below
Temperature: -40° to +225° F



PLUG



MANUAL COUPLER

Straight Through or “Full Flow” couplers are non-valved and are usually applied in liquid systems needing maximum flow with no restrictions. Some typical applications are in chemical processing, pressure wash, plastic mold coolant lines, on water manifolds, food processing and other liquid handling applications where shut-offs are not needed and full flow is advantageous.

| Body Size | Plug | Plug | Coupler | Coupler |
|------------------------|-----------|-------------|-----------|-------------|
| | MALE PIPE | FEMALE PIPE | MALE PIPE | FEMALE PIPE |
| BRASS | | | | |
| 1/8" | SP1M | SP1 | ST1M | ST1 |
| 1/4" | SP2M | SP2 | ST2M | ST2 |
| 3/8" | SP3M | SP3 | ST3M | ST3 |
| 1/2" | SP4M | SP4 | ST4M | ST4 |
| 3/4" | SP6M | SP6 | ST6M | ST6 |
| 1" | SP8M | SP8 | ST8M | ST8 |
| 1-1/4" | SP10M | SP10 | - | ST10 |
| 1-1/2" | SP12M | SP12 | - | ST12 |
| STAINLESS STEEL | | | | |
| 1/8" | SP1M-303 | SP1-303 | ST1M-303 | ST1-303 |
| 1/4" | SP2M-303 | SP2-303 | ST2M-303 | ST2-303 |
| 3/8" | SP3M-303 | SP3-303 | ST3M-303 | ST3-303 |
| 1/2" | SP4M-303 | SP4-303 | ST4M-303 | ST4-303 |
| STEEL | | | | |
| 1/8" | SP1M-S | SP1-S | - | - |
| 1/4" | SP2M-S | SP2-S | - | - |
| 3/8" | SP3M-S | SP3-S | - | - |
| 1/2" | SP4M-S | SP4-S | - | - |
| 3/4" | SP6M-S | SP6-S | - | - |
| 1" | SP8M-S | SP8-S | - | - |
| 1-1/4" | - | - | - | - |
| 1-1/2" | SP12M-S | SP12-S | - | - |

| Size | Brass Coupler Steel Plug | Brass Coupler Brass Plug | Stainless Coupler and Plug | Materials |
|---|-----------------------------|-----------------------------|-------------------------------|--|
| 1/8" | 2600 | 2500 | 4200 | Coupler: Brass or 303 Stainless |
| 1/4" | 5500 | 5200 | 6700 | |
| 3/8" | 3500 | 2700 | 5500 | Plug: Steel, Brass or 303 Stainless |
| 1/2" | 2700 | 2200 | 3000 | |
| 3/4" | 1700 | 1700 | 1700 | Seals: Standard for ST series is Nitrile. Viton and EP also Available. |
| 1" | 2000 | 1200 | 1700 | |
| 1-1/4" | 2700 | 1700 | 2200 | Component Parts: Locking Balls; Stainless Sleeve Springs; Stainless |
| 1-1/2" | 2200 | 1400 | 2500 | |
| COUPLER'S MINIMUM BURST PRESSURE = APPROXIMATELY 4 X WORKING PRESSURE | | | | |

Mold Coolant-Line Quick Couplers

TOMCO Series MC200, MC300 & MC500

OPERATING PRESSURE:
 200 psig (14.06 Kg/sq. cm)
WORK RANGE:
 SILICONE: - 90°F to + 400°F (- 68°C to + 205°C)
 VITON: + 20°F to + 400°F (-7°C to + 205°C)

TOMCO coolant couplers are engineered for optimum speed and performance in connecting coolant lines to molds used for thermoplastic, thermosetting, blow molding, diecasting and on other types of tooling and equipment utilizing a constant fluid flow pumped through cooling channels.

The quick connect feature of TOMCO couplers greatly simplifies installation and removal of molds. It dramatically reduces machinery down time.

To meet virtually any hook-up requirements, TOMCO coolant couplers are supplied in three configurations: straight stem, 90° stem and 45° stem.

Couplers are precision machined from corrosion resistant brass and are fitted with either regular hose barbs or barbs for "push-on" type hose (indicated by a suffix "P" on the part number). The "push-on" type hose and barb combination eliminates the need for clamps for a secure hose-to-barb assembly.

TOMCO couplers are available as straight-through or valved type (indicated by a suffix "V" on the part number). This valve prevents fluid loss through the coupler when it is disconnected.

Standard seals are manufactured from a special silicone compound that is resistant to the destructive effects of water, glycol (anti-freeze) or air. Viton is available for use with oil or other coolants.

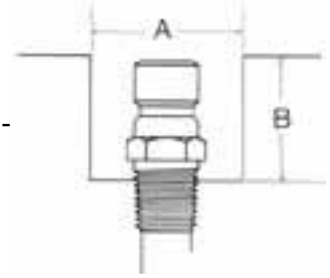
TOMCO Series MC200, MC300 and MC500 male plugs are designed to be threaded directly into mold coolant ports.



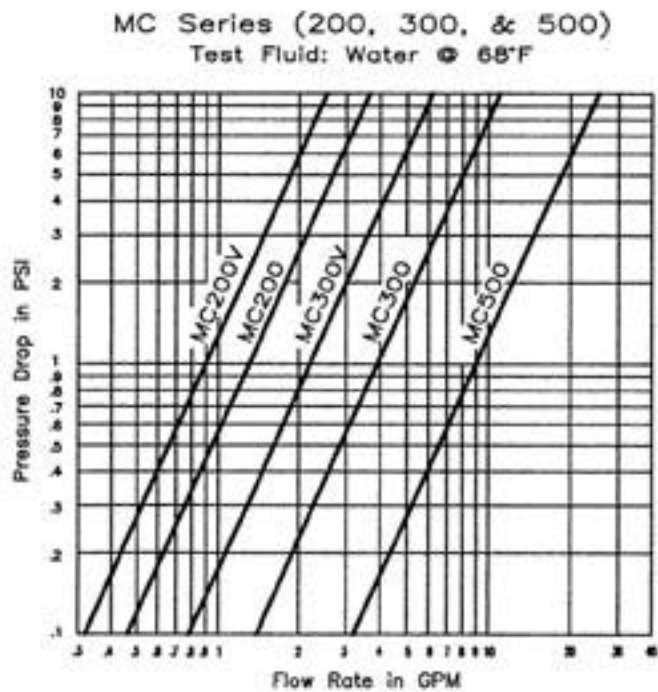
MALE PLUG (BRASS)

| 1/4" BASIC SIZE | | A | B |
|-----------------|-------|------|------|
| 1/8" NPTF | MP251 | 0.69 | 0.69 |
| 1/4" NPTF | MP252 | 0.84 | 0.94 |
| 3/8" NPTF | MP253 | 1.00 | 0.97 |
| 3/8" BASIC SIZE | | | |
| 1/4" NPTF | MP352 | 1.00 | 0.94 |
| 3/8" NPTF | MP353 | 1.00 | 1.13 |
| 1/2" NPTF | MP354 | 1.81 | 1.25 |
| 1/2" BASIC SIZE | | | |
| 1/2" NPTF | MP554 | 1.25 | 1.50 |
| 3/4" NPTF | MP556 | 1.50 | 1.56 |

Protective counterbored holes in the mold ports permit these plugs to be mounted below the surface greatly simplifying handling and storage of molds. TOMCO male plugs are manufactured of corrosion resistant brass. Female plugs are intended for use on pipe nipples when the connection needs to be made outside the mold. They are machined from alloy steel.



FLOW RATE



FEMALE PLUG (STEEL)

| | |
|-----------|--------|
| 1/8" NPTF | MP251F |
| 1/4" NPTF | MP252F |
| 3/8" NPTF | MP253F |
| | |
| 1/4" NPTF | MP352F |
| 3/8" NPTF | MP353F |
| - | - |
| | |
| 1/2" NPTF | MP554F |
| 3/4" NPTF | MP556F |

TOMCO

Mold Coolant

Brass Extension Plugs

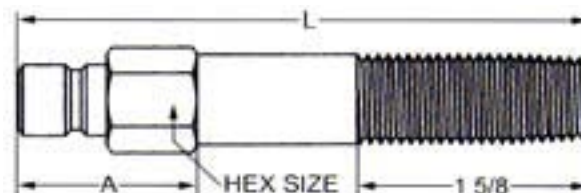
SERIES MC200 & MC300

BRASS EXTENSION PLUGS



ONE PIECE CONSTRUCTION ASSURES RELIABLE ASSEMBLY AND POSITIVE REMOVAL. END THREADS ARE STANDARD TAPERED NPT FOR RELIABLE INSTALLATION AND LEAK FREE PERFORMANCE.

| MC200 | | | | |
|----------------------------|----------|------------------|-----------------|----------|
| 1/8 PIPE EXTENSIONS | | | | |
| NUMBER | L | PIPE SIZE | HEX SIZE | A |
| MP251-250 | 2.50 | 1/8 NPT | 7/16 | .69 |
| MP251-400 | 4.00 | 1/8 NPT | 7/16 | 1.00 |
| MP251-550 | 5.50 | 1/8 NPT | 7/16 | 1.00 |
| MP251-700 | 7.00 | 1/8 NPT | 7/16 | 1.00 |
| MP251-850 | 8.00 | 1/8 NPT | 7/16 | 1.00 |
| 1/4 PIPE EXTENSIONS | | | | |
| MP252-250 | 2.50 | 1/4 NPT | 9/16 | .88 |
| MP252-400 | 4.00 | 1/4 NPT | 9/16 | 1.25 |
| MP252-550 | 5.50 | 1/4 NPT | 9/16 | 1.25 |
| MP252-700 | 7.00 | 1/4 NPT | 9/16 | 1.25 |
| MP252-850 | 8.50 | 1/4 NPT | 9/16 | 1.25 |
| 3/8 PIPE EXTENSIONS | | | | |
| MP253-250 | 2.50 | 3/8 NPT | 11/16 | 1.00 |
| MP253-400 | 4.00 | 3/8 NPT | 11/16 | 1.25 |
| MP253-550 | 5.50 | 3/8 NPT | 11/16 | 1.25 |
| MP253-700 | 7.00 | 3/8 NPT | 11/16 | 1.25 |
| MP253-850 | 8.50 | 3/8 NPT | 11/16 | 1.25 |
| MC300 | | | | |
| 1/4 PIPE EXTENSIONS | | | | |
| MP352-250 | 2.50 | 1/4 NPT | 9/16 | .88 |
| MP352-400 | 4.00 | 1/4 NPT | 9/16 | 1.25 |
| MP352-550 | 5.50 | 1/4 NPT | 9/16 | 1.25 |
| MP352-700 | 7.00 | 1/4 NPT | 9/16 | 1.25 |
| MP352-850 | 8.50 | 1/4 NPT | 9/16 | 1.25 |
| 3/8 PIPE EXTENSIONS | | | | |
| MP353-250 | 2.50 | 3/8 NPT | 11/16 | 1.00 |
| MP353-400 | 4.00 | 3/8 NPT | 11/16 | 1.25 |
| MP353-550 | 5.50 | 3/8 NPT | 11/16 | 1.25 |
| MP353-700 | 7.00 | 3/8 NPT | 11/16 | 1.25 |
| MP353-850 | 8.50 | 3/8 NPT | 11/16 | 1.25 |
| 1/2 PIPE EXTENSIONS | | | | |
| MP354-250 | 2.50 | 1/2 NPT | 7/8 | 1.13 |
| MP354-400 | 4.00 | 1/2 NPT | 7/8 | 1.50 |
| MP354-550 | 5.50 | 1/2 NPT | 7/8 | 1.50 |
| MP354-700 | 7.00 | 1/2 NPT | 7/8 | 1.50 |
| MP354-850 | 8.50 | 1/2 NPT | 7/8 | 1.50 |



Mold Coolant-Line Quick Couplers

SERIES MC200, MC300 & MC500


D-M-E, PARKER and FOSTER INTERCHANGE

Sleeve Lock is available with all sizes of non-valved couplers.




1/4" BASIC SIZE, BRASS

STRAIGHT THROUGH (Non-Valved)


| FITS HOSE I.D. | Straight Stem | 90° Stem | 45° Stem | Body Only |
|----------------|---------------|----------|----------|---|
| 1/4" | MC204 | MC214 | MC224 | MC200 (1/8" FPT) |
| 1/4" (Push-On) | MC204P | MC214P | MC224P | |
| 5/16" | MC205 | MC215 | MC225 |  |
| 3/8" | MC206 | MC216 | MC226 | |
| 3/8" (Push-On) | MC206P | MC216P | MC226P | |

VALVED


| FITS HOSE I.D. | Straight Stem | 90° Stem | 45° Stem | Body Only |
|----------------|---------------|----------|----------|--|
| 1/4" | MC204V | MC214V | MC224V | MC200V (1/8" FPT) |
| 1/4" (Push-On) | MC204VP | MC214VP | MC224VP | |
| 5/16" | MC205V | MC215V | MC225V |  |
| 3/8" | MC206V | MC216V | MC226V | |
| 3/8" (Push-On) | MC206VP | MC216VP | MC226VP | |

3/8" BASIC SIZE, BRASS

STRAIGHT THROUGH (Non-Valved)

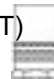
| FITS HOSE I.D. | Straight Stem | 90° Stem | 45° Stem | Body Only |
|------------------|---------------|----------|----------|---|
| 3/8" | MC306 | MC316 | MC326 | MC300 (1/4" FPT) |
| 3/8" (Push-On) | MC306P | MC316P | MC326P | |
| 1/2" | MC308 | MC318 | MC328 |  |
| 1/2" (Push-On) | MC308P | MC318P | MC328P | |
| 1/2" (High Flow) | MC308HF | MC318HF | MC328HF | MC300HF (3/8" FPT) |

VALVED

| FITS HOSE I.D. | Straight Stem | 90° Stem | 45° Stem | Body Only |
|----------------|---------------|----------|----------|---|
| 3/8" | MC306V | MC316V | MC326V | MC300V (1/4" FPT) |
| 3/8" (Push-On) | MC306VP | MC316VP | MC326VP | |
| 1/2" | MC308V | MC318V | MC328V |  |
| 1/2" (Push-On) | MC308VP | MC318VP | MC328VP | |

1/2" BASIC SIZE, BRASS

STRAIGHT THROUGH (Non-Valved)

| FITS HOSE I.D. | Straight Stem | 90° Stem | 45° Stem | Body Only |
|----------------|---------------|----------|----------|---|
| 1/2" | MC504 | MC514 | MC524 | MC500 (1/2" FPT) |
| 1/2" (Push-On) | MC504P | MC514P | MC524P | |
| 3/4" | MC506 | MC516 | MC526 |  |

High Flow Capability in MC Series - The 3/8" size MC300HF coupler utilizes a 3/8" Fe Pipe fitting port, rather than a standard 1/4" Fe Pipe port, to increase fluid volume.

Compared to standard 1/4" ported MC300 couplers:

- MC300HF yields 37% greater fluid volume.
- MC308HF, MC318HF, and MC328HF yield 17% greater fluid volume.

Continuing manufacturing and engineering advances may cause changes to the data shown.

TOMCO Pneumatic "SLIM-FLOW" QUICK-CONNECT

SERIES 3400 1/4" BASIC SIZE

SERIES 3600 3/8" BASIC SIZE

SERIES 3800 1/2" BASIC SIZE

Tomco "SLIM-FLOW" Quick-Connect Fittings are of exceptionally streamlined configuration for use in restricted area line connections found in instrumentation, system control, or chemical processing systems. Applications include pressure-sensing hookups, panelboard connections, portable instrumentation lines, instrument manifolds, etc., where quick-connect or disconnect feature is essential.

- Simplicity of design
- Available in Brass or 316 Stainless Steel

- Positive roller lock latching mechanism permits 360° swivel action
- One hand required to connect or disconnect
- Viton seals standard. Other materials available. Consult factory
- Smallest possible dimensions with maximum orifice size
- Integral flareless tube port fittings
- Temperature ranges +20°F to 400°F (standard seals)
- Vacuum Data: Connected 29.50 in. Hg
Disconnected Consult factory

FLOW AND PRESSURE DROP

3400 SERIES

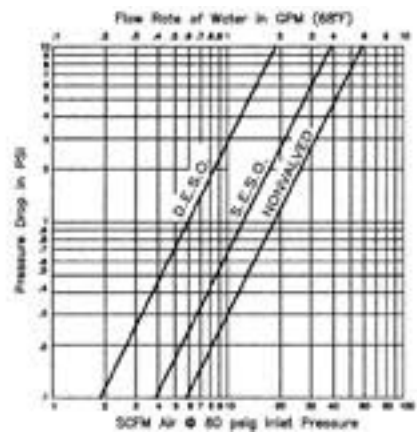
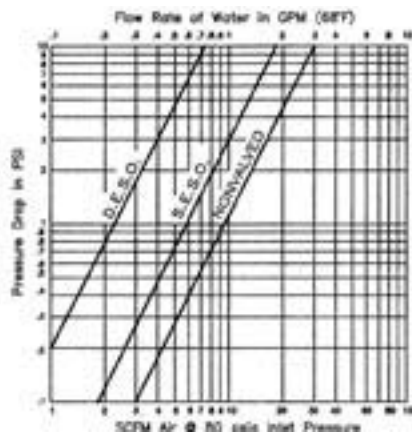
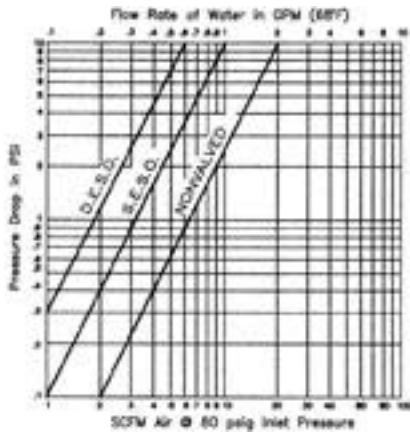
Max. operating pressure: 500 psig
Max. connect/disconnect pressure: 250 psig

3600 SERIES

Max. operating pressure: 300 psig
Max. connect/disconnect pressure: 150 psig

3800 SERIES

Max. operating pressure: 200 psig
Max. connect/disconnect pressure: 100 psig



SCFM AIR [80 PSIG INLET PRESSURE]

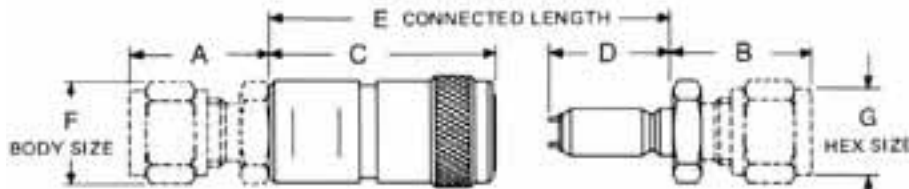
- 1/4 SINGLE END SHUTOFF
- 1/4 DOUBLE END SHUTOFF
- 1/4 NON-VALVED

SCFM AIR [80 PSIG INLET PRESSURE]

- 3/8 SINGLE END SHUTOFF
- 3/8 DOUBLE END SHUTOFF
- 3/8 NON-VALVED

SCFM AIR [80 PSIG INLET PRESSURE]

- 1/2 SINGLE END SHUTOFF
- 1/2 DOUBLE END SHUTOFF
- 1/2 NON-VALVED



| | FEMALE PIPE THREAD | | | MALE PIPE THREAD | | | FLARELESS TUBE FITTING | | BULKHEAD FLARELESS TUBE FITTING | | AN FLARED TUBE (MS33656) | | | BULKHEAD AN FLARED TUBE (MS33657) | | | C | D | E | F | G | | |
|-------------|--------------------|------|------|------------------|------|------|------------------------|------|---------------------------------|------|--------------------------|------|------|-----------------------------------|-----|-----|------|-----|------|------|------|-------|-------|
| | SIZE | A | B | SIZE | A | B | SIZE | A | B | SIZE | A | B | SIZE | A | B | | | | | | | | |
| SERIES 3400 | 1/8 | .72 | .75 | 1/8 | .56 | .56 | 1/8 | .87 | .63 | 1/4 | 1.35 | 1.23 | 1/4 | .69 | .69 | 1/4 | 1.06 | .88 | 1.48 | .80 | 1.50 | 21/32 | 9/16 |
| | 1/4 | .78 | .91 | 1/4 | .75 | .81 | 1/4 | .94 | 1.13 | 1/4 | 1.35 | 1.23 | 1/4 | .69 | .69 | 1/4 | 1.06 | .88 | 1.48 | .80 | 1.50 | 21/32 | 9/16 |
| SERIES 3600 | 1/4 | .96 | .96 | 1/4 | .75 | .75 | 1/4 | .94 | .94 | 3/8 | 1.70 | 1.70 | - | - | - | - | - | - | 1.65 | .83 | 1.70 | 25/32 | 11/16 |
| | 3/8 | .96 | .96 | 3/8 | .75 | .75 | 3/8 | 1.03 | 1.03 | 3/8 | 1.70 | 1.70 | - | - | - | - | - | - | 1.65 | .83 | 1.70 | 25/32 | 11/16 |
| SERIES 3800 | 3/8 | .81 | .81 | 3/8 | .81 | .81 | 3/8 | 1.10 | 1.10 | 1/2 | 1.90 | 1.90 | - | - | - | - | - | - | 2.30 | 1.05 | 2.37 | 1 | 7/8 |
| | 1/2 | 1.00 | 1.00 | 1/2 | 1.00 | 1.00 | 1/2 | 1.10 | 1.12 | 1/2 | 1.90 | 1.90 | - | - | - | - | - | - | 2.30 | 1.05 | 2.37 | 1 | 7/8 |

NOTE: Valved plug must be used with valved coupler. Valved coupler, however, may also be used with unvalved plug.



PLUG



AUTOMATIC COUPLER

| FEMALE THREAD | Catalog No. | | | | Catalog No. | | | |
|---------------|-------------|---------|------------|---------|-------------|---------|------------|---------|
| | VALVED | | NON-VALVED | | VALVED | | NON-VALVED | |
| | BRASS | 316-SST | BRASS | 316-SST | BRASS | 316-SST | BRASS | 316-SST |
| 1/8" NPT | 3470R3 | 3472R3 | 3460R3 | 3462R3 | 3450R3 | 3452R3 | 3440R3 | 3442R3 |
| 1/4" NPT | 3470R4 | 3472R4 | 3460R4 | 3462R4 | 3450R4 | 3452R4 | 3440R4 | 3442R4 |
| 1/4" NPT | 3670R3 | 3672R3 | 3660R3 | 3662R3 | 3650R3 | 3652R3 | 3640R3 | 3642R3 |
| 3/8" NPT | 3670R4 | 3672R4 | 3660R4 | 3662R4 | 3650R4 | 3652R4 | 3640R4 | 3642R4 |
| 3/8" NPT | 3870R3 | 3872R3 | 3860R3 | 3862R3 | 3850R3 | 3852R3 | 3840R3 | 3842R3 |

| MALE THREAD | Catalog No. | | | | Catalog No. | | | |
|-------------|-------------|---------|------------|---------|-------------|---------|------------|---------|
| | VALVED | | NON-VALVED | | VALVED | | NON-VALVED | |
| | BRASS | 316-SST | BRASS | 316-SST | BRASS | 316-SST | BRASS | 316-SST |
| 1/8" NPT | 3470R1 | 3472R1 | 3460R1 | 3462R1 | 3450R1 | 3452R1 | 3440R1 | 3442R1 |
| 1/4" NPT | 3470R2 | 3472R2 | 3460R2 | 3462R2 | 3450R2 | 3452R2 | 3440R2 | 3442R2 |
| 1/4" NPT | 3670R1 | 3672R1 | 3660R1 | 3662R1 | 3650R1 | 3652R1 | 3640R1 | 3642R1 |
| 3/8" NPT | 3670R2 | 3672R2 | 3660R2 | 3662R2 | 3650R2 | 3652R2 | 3640R2 | 3642R2 |
| 3/8" NPT | 3870R1 | 3872R1 | 3860R1 | 3862R1 | 3850R1 | 3852R1 | 3840R1 | 3842R1 |
| 1/2" NPT | 3870R2 | 3872R2 | 3860R2 | 3862R2 | 3850R2 | 3852R2 | 3840R2 | 3842R2 |

| FLARELESS TUBE FITTING | VALVED | | NON-VALVED | | VALVED | | NON-VALVED | |
|------------------------|-----------|---------|------------|---------|--------|---------|------------|---------|
| | BRASS | 316-SST | BRASS | 316-SST | BRASS | 316-SST | BRASS | 316-SST |
| | 1/8" TUBE | 3470R5 | 3472R5 | 3460R5 | 3462R5 | 3450R5 | 3452R5 | 3440R5 |
| 1/4" TUBE | 3470R6 | 3472R6 | 3460R6 | 3462R6 | 3450R6 | 3452R6 | 3440R6 | 3442R6 |
| 1/4" TUBE | 3670R5 | 3672R5 | 3660R5 | 3662R5 | 3650R5 | 3652R5 | 3640R5 | 3642R5 |
| 3/8" TUBE | 3670R6 | 3672R6 | 3660R6 | 3662R6 | 3650R6 | 3652R6 | 3640R6 | 3642R6 |
| 3/8" TUBE | 3870R4 | 3872R4 | 3860R4 | 3862R4 | 3850R4 | | 3840R4 | |
| 1/2" TUBE | 3870R5 | 3872R5 | 3860R5 | 3862R5 | 3850R5 | 3852R5 | 3840R5 | 3842R5 |

| BULKHEAD FLARELESS TUBE FITTING | | | | | | | | |
|---------------------------------|--------|--------|--------|--------|--------|--------|--------|--------|
| 1/4" TUBE | 3470R7 | 3472R7 | 3460R7 | 3462R7 | 3450R7 | 3452R7 | 3440R7 | 3442R7 |
| 3/8" TUBE | 3670R7 | 3672R7 | 3660R7 | 3662R7 | 3650R7 | 3652R7 | 3640R7 | 3642R7 |
| 1/2" TUBE | | | | | | 3852R6 | | 3842R6 |

| AN FLARED TUBE | | | | | | | | |
|----------------|--|--------|--|--------|--------|--------|--------|--------|
| 1/4" TUBE | | 3472R9 | | 3462R9 | 3450R9 | 3452R9 | 3440R9 | 3442R9 |

| BULKHEAD AN FLARED TUBE | | | | | | | | |
|-------------------------|--|--|--|---------|--|--|---------|--|
| 1/4" TUBE | | | | 3462R10 | | | 3440R10 | |

DUST AND CAP PLUGS

Tomco dust caps and plugs prevent contamination of disconnected fluid systems. They prevent introduction of dirt, grit, and other contaminants into the system through the "Slim-Flow" component.



DUST CAP



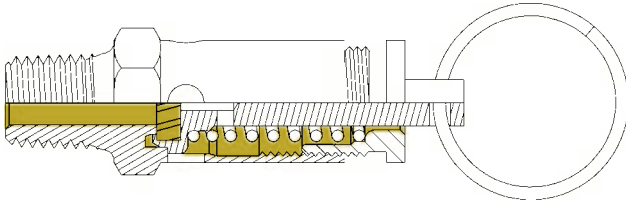
DUST PLUG

| SIZE | PART NO. | |
|------|----------|--------------|
| | BRASS | 316-SST |
| 1/4" | 3400 CPC | 3400 CPC-316 |
| 3/8" | 3600 CPC | 3600 CPC-316 |

| SIZE | PART NO. | |
|------|----------|--------------|
| | BRASS | 316-SST |
| 1/4" | 3400 CPP | 3400 CPP-316 |
| 3/8" | 3600 CPP | 3600 CPP-316 |
| 1/2" | 3800 CPP | 3800 CPP-316 |

TOMCO Safety Valves

Factory Preset and Sealed



SERIES 1780

ASME Coded

These premium safety valves are manufactured under the regulations of the National Board of Boiler and Pressure Vessel Inspectors in accordance with section VIII of the ASME Code covering valves for unfired pressure vessels.

- Premium quality, corrosion-resistant safety valves
- Die stamped with ASME UV symbol
- Engineered for air compressor tanks and other non-fired pressure vessels and instruments
- Staked closed to prevent tampering
- Pressure settings available from 40 to 200 PSIG +/-3%
- Choice of 1/4" or 3/8" NPTF mounting threads
- Optimum high-flow discharge rates
- Operating temperatures -40°F to 350°F (-40°C to 177°C)
- Maximum installation torque: 100 lb.in.
- CRN OG-679-C

ORDERING INFORMATION

Example:

Series Code - 1780 Vent Pressure - Specify between 40 to 200 PSI

178 4 J • 190

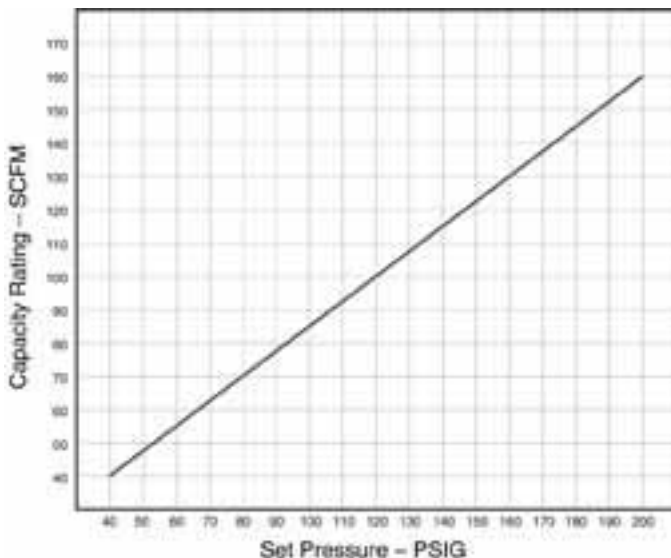
Thread Size
4 = 1/4 NPTF
6 = 3/8 NPTF

Seal Material
J = Silicon, -40°F to 350°F
K = Viton®, 0°F to 350°F

Examples:

1784J-160 =
1/4 NPTF Thread, Silicon Seal, 160 PSIG Vent Pressure

1786K-140 =
3/8 NPTF Thread, Viton Seal, 140 PSIG Vent Pressure



Continuing manufacturing and engineering advances may cause changes to the data shown.

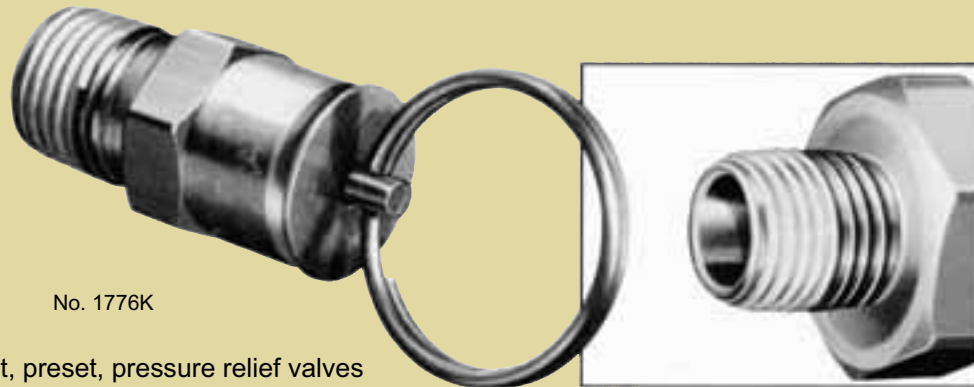
Factory Preset

PRESSURE RELIEF VALVES

SERIES 1776K

Cracking Pressure Ranges Available
From 4 psig thru 75 psig

Shield Disc Color Coded to Indicate Cracking Pressure

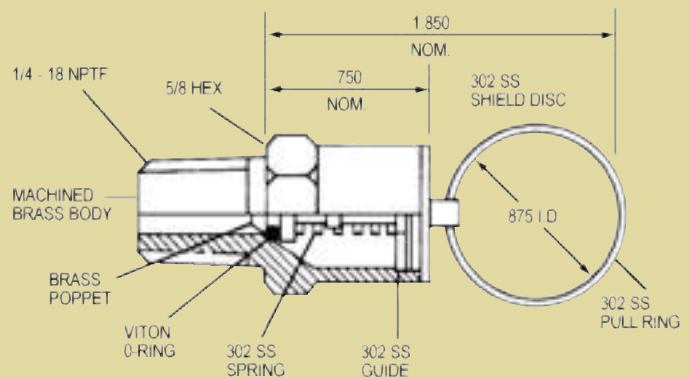


No. 1776K

TOMCO low cost, preset, pressure relief valves are thoroughly engineered and precision manufactured to protect against equipment damage or personnel injury that may result from dangerous pressure build-ups.

- Usable indoors or out
- Automatically vent at your selected pressure level
- Automatically reseal when pressure returns to "normal"
- May be manually opened as a safety precaution before field or shop servicing of the vessel
- Stainless steel shield-disc protects against dirt, insects, and contaminants entering valve
- Seals against vacuum
- Machined solid brass bodies
- 302 stainless steel springs, guides, shield-discs and pull rings
- The precision spring is double heat treated to eliminate temperature /time fatigue
- High strength precision-rolled threads
- Quickly and easily installed

A time-saving, money-saving feature of TOMCO relief valves is that their threads are "pretaped" with teflon tape to assure leak-proof installation. The first 1 1/2 threads are teflon-free to eliminate potential for tape shredding into, and contaminating, the vessel interior.



| TOMCO | CRACKING PRESSURE (PSIG)* | FLOW (SCFM)Ü |
|------------|---------------------------|--------------|
| 1776K-O-05 | 5 | 12 |
| 1776K-O-10 | 10 | 30 |
| 1776K-O-15 | 15 | 43 |
| 1776K-O-20 | 20 | 50 |
| 1776K-O-25 | 25 | 56 |
| 1776K-O-30 | 30 | 63 |
| 1776K-O-40 | 40 | 82 |
| 1776K-O-50 | 50 | 97 |
| 1776K-O-60 | 60 | 110 |
| 1776K-O-75 | 75 | 134 |

| TOMCO | CRACKING PRESSURE (PSIG)* | FLOW (SCFM)Ü |
|------------|---------------------------|--------------|
| 1776K-S-05 | 5 | 3 |
| 1776K-S-10 | 10 | 10 |
| 1776K-S-15 | 15 | 12 |
| 1776K-S-20 | 20 | 14 |
| 1776K-S-25 | 25 | 21 |
| 1776K-S-30 | 30 | 36 |
| 1776K-S-40 | 40 | 52 |
| 1776K-S-50 | 50 | 69 |
| 1776K-S-60 | 60 | 85 |
| 1776K-S-75 | 75 | 110 |

Part number with the middle letter "O" indicates the valve is supplied with a pull ring and shield disc.
Part number with the middle letter "S" indicates the valve is supplied without pull ring and shield disc.
*Cracking Pressure: psig ±10% †Flow (SCFM): Measured at 125% of cracking pressure

FOR CRACKING PRESSURES OTHER THAN THOSE LISTED ABOVE, PLEASE CONTACT FACTORY.

 **WARNING**

FAILURE, IMPROPER SELECTION, OR IMPROPER USE OF THE PRODUCTS AND /OR SYSTEMS DESCRIBED HEREIN, OR RELATED ITEMS, CAN CAUSE DEATH, PERSONAL INJURY AND PROPERTY DAMAGE.

This document and other information from TOMCO, its subsidiaries, and authorized distributors, provide product and/or system options for further investigation by users having technical expertise. It is important that you analyze all aspects of your application and review the information concerning the product or system in the current product catalog. Due to the variety of operating conditions and applications for these products, or systems, the user, through its own analysis and testing, is solely responsible for making the final selection of the products and systems and assuring that all performance, safety and warning requirements of the application are met.

The products described herein, including without limitation, product features, specifications, designs, availability, and pricing, are subject to change by TOMCO and its subsidiaries at any time without notice.

SAFETY GUIDE

1. Quick couplers can fail without warning for a variety of reasons. All systems and equipment should be of a fail-safe design to avoid endangering persons and property.
2. Any person responsible for selecting or using quick couplers should read and understand this safety guide as well as specific information about product selection.
3. TOMCO and its distributors do not represent or warrant that any quick coupler is suitable for any specific end use system. The user, through its own analysis and testing, is solely responsible for making the final selection of the products and systems and assuring that all performance, safety, and warning requirements are met.

FLUID AND TEMPERATURE

Body and seal materials of the coupler must be compatible with the fluid media and ambient temperature both steady and transient. Do not exceed the limits of the coupler.

SIZE

Transmission of power by means of pressurized fluid varies with pressure and flow rate. The size of the coupler must be adequate to keep pressure losses to a minimum and avoid damage due to heat generation or excessive fluid velocity.

ENVIRONMENT

Environmental conditions including, but not limited to, moisture, water, chemicals, ozone, ultraviolet radiation and air pollutants can cause degradation and premature failure.

LOCKING MECHANISM

Couplers can accidentally disconnect when dragged over obstructions on the end of a hose. Where there is a potential for this to occur, sleeve lock design should be considered.

LOADS

Mechanical loads such as: excessive tensile, side loading, or vibration can reduce coupler life or cause failure.

VACUUM

When selecting a coupler for vacuum service, make sure it will withstand the vacuum and pressure of the system. Not all couplers are suitable for vacuum service.

COUPLER INSTALLATION

Couplers should be located so as not to expose the operator to hot or moving parts, potential of falling, slipping, or other hazardous conditions.

HOSE WHIP

A short length of hose between the tool and the coupler half should be used instead of a rigid mount. This reduces the potential for coupler damage and provides some isolation from mechanical vibration which could cause accidental uncoupling.

PRESSURE

When selecting your coupler make sure the published pressure rating is equal to, or greater than, the maximum system pressure. High surge pressure can shorten the life of the coupler.

 **WARNING**

DO NOT GO NEAR FLUID LEAKS



- High pressure leaks of fluids such as oil easily puncture skin and can cause serious injury, gangrene or death.
- If injured, seek emergency medical help. Immediate surgery is required to remove oil.
- Do not use your fingers or skin to check for leaks.
- Lower load or relieve tool pressure before loosening fittings.

Seal Compatibility Guide

The seal information shown on this page is intended to aid in the selection of appropriate seal materials based on testing by TOMCO and/or recommendations supplied by seal material manufacturers. This listing is not intended as a recommendation for suitability for TOMCO products for any specific application. Proper evaluation of all operating and safety conditions must be considered when selecting a coupler and seal combination for any specific situation. If any doubt exists, or for selection assistance contact TOMCO.

Notes:

- (1) EP seals are not compatible with mineral/petroleum oils or grease.
- (2) Elastomeric materials are particularly combustible in the presence of pure oxygen. Effects of sparks and adiabatic heating have been known to cause explosions. TOMCO Products makes no recommendation and assumes no liability for the use of its products for high or pure oxygen concentrations.
- (3) Paint solvent applications often involve combined fluids for which no single elastomer is compatible. It is recommended that the TOMCO engineering department be contacted for seal material selection for these fluids.
- (4) TOMCO brass THK Series couplers with 204 seals may be operated at temperatures up to 338°F and 100 PSIG for steam service.
- (5) Vacuum applications require clean systems free from particulate contamination.

| Fluid/Service Temperature Seal TOMCO (°F) Material Code | | | |
|--|---------------------|----------|------|
| Acetone | -65 to 200 | EP (1) | 204 |
| Acetylene Gas | 40 to 200 | Nitrile | Std. |
| Air, Cold | -40 to 250 | Nitrile | Std. |
| Air, Hot | 20 to 300 | Viton | 201 |
| Alkalies | -40 to 160 | Nitrile | Std. |
| Ammonia, Anhydrous | -65 to 240 | EP (1) | 204 |
| Ammonia, Aqueous | -65 to 200 | EP (1) | 204 |
| Benzene | 20 to 250 | Kalrez® | 203 |
| Brake Fluid, Non-Petroleum | -65 to 200 | EP (1) | 204 |
| Butane | -40 to 200 | Nitrile | 213 |
| Carbon Dioxide, Low Pressure | -65 to 200 | Nitrile | 213 |
| Diesel Fuel, Cold | -65 to 120 | Nitrile | Std. |
| Diesel Fuel, Hot | 20 to 250 | Viton | 201 |
| Ethanol | -65 to 200 | EP (1) | 204 |
| Ethylene Glycol | -40 to 200 | Nitrile | Std. |
| Freon, 11, 112 & 113 | -40 to 200 | Nitrile | Std. |
| Freon, 12, 22 & 502 | -40 to 200 | Neoprene | 206 |
| Fuel Oils, General | 20 to 250 | Viton | 201 |
| Gasoline, Non-Oxygenated | 20 to 250 | Viton | 201 |
| Gasoline, Oxygenated (M85) | 20 to 250 | Kalrez | 203 |
| Glycol | -40 to 200 | Nitrile | Std. |
| HCFC 123 & 134A | -40 to 200 | Neoprene | 206 |
| Helium Gas | -40 to 200 | Nitrile | Std. |
| Hydraulic Oils, Petroleum | -40 to 250 | Nitrile | Std. |
| Jet Fuel | -40 to 120 | Nitrile | Std. |
| Kerosene | -40 to 250 | Nitrile | Std. |
| LP Gas, UL Approved | -65 to 250 | Nitrile | Std. |
| Methane | -40 to 120 | Nitrile | Std. |
| Methanol | -65 to 160 | EP (1) | 204 |
| Methyl Ethyl Ketone | -65 to 120 | EP (1) | 204 |
| MIL-H-5806 & 6083 | -40 to 250 | Nitrile | Std. |
| Mineral Spirits | -65 to 250 | Nitrile | Std. |
| Nitrogen Gas | -40 to 225 | Nitrile | Std. |
| Oxygen Gas, Low Pressure | -40 to 100 (2) | Neoprene | 206 |
| Paint Solvents | (3) | (3) | |
| Propane | -65 to 250 | Nitrile | 213 |
| Refrigerants | (See Freon & HCFC) | | |
| Steam, General Service (4) | 300 Max. at 68 PSIG | EP (1) | 204 |
| Stoddard Solvent | 65 to 250 | Nitrile | Std. |
| Toluene | 20 to 200 | Viton | 201 |
| Transmission Fluid, Type A | -40 to 250 | Nitrile | Std. |
| Turpentine | -40 to 200 | Nitrile | Std. |
| Vacuum | 20 to 300 (5) | Viton | 201 |
| Water, Cold | Up to 180 | Nitrile | Std. |
| Water, Hot and Steam | Up to 300 | EP (1) | 204 |

General Coupler Information

No other company manufactures a better coupler than TOMCO. Our couplers and plugs are precision engineered and feature tough, wear-resistant, and anti-corrosion materials for maximum performance and long life. Here are a few features that set TOMCO couplers apart from the rest:

- Fatigue-resistant stainless steel springs
- All components subject to wear are properly hardened
- Carbon steel parts are heavily plated for optimum corrosion resistance
- Standard seals are made of Nitrile, except Slim-Flow seals which are made of Viton®. Other seal materials are available to meet specific needs.

Alternate Materials

Prices and availability of alternate materials with specific couplings are shown in the current TOMCO Price List. Consult TOMCO for specific recommendations.

Materials Part No. Suffix

Viton 201
EP 204
Neoprene 206

Coupler Standards

| Coupler Series No. | Coupler Material | Valve Material | Seal Material |
|--------------------|-------------------------------------|----------------|---------------|
| SC | Brass | Brass | Nitrile |
| 180 | Brass Body/Steel Sleeve and Backnut | Steel | Nitrile |
| M180 | Brass Body/Steel Sleeve and Backnut | Acetal | Nitrile |
| A180 | Brass Body/Brass Sleeve and Backnut | Acetal | Nitrile |
| 100 | Brass Body/Steel Sleeve and Backnut | Acetal | Nitrile |
| A100 | Brass Body/Brass Sleeve and Backnut | Acetal | Nitrile |
| T4000 | Steel | Steel | Nitrile |
| T400 | Steel | Steel | Nitrile |
| T5000 | Steel | Steel | Nitrile |
| T500 | Steel | Steel | Nitrile |
| 2100 | Brass Body/Steel Sleeve and Backnut | Acetal | Nitrile |
| A2100 | Brass Body/Brass Sleeve and Backnut | Acetal | Nitrile |
| PT400 | Steel | Steel | Nitrile |
| 1100 | Brass Body/Steel Sleeve and Backnut | Acetal | Nitrile |
| TL | Aluminum Body/Steel Backnut | Steel | Nitrile |
| ST | Brass or 303 Stainless Steel | None | Nitrile |
| GH | Brass | None | Nitrile |
| THK, Steel | Steel | Steel | Nitrile |
| THK, Brass | Brass | Brass | Nitrile |
| THK, SS | 303 Stainless Steel | 303SS | Nitrile |
| A5600 | Steel | Steel | Nitrile |
| FF Steel | Steel | Steel | Nitrile |
| FS | 316 Stainless Steel | 316SS | Viton |
| A5100 | Brass | Brass | Nitrile |
| 34/36/3800 SS | 316 Stainless Steel | 316SS | Viton |
| 34/36/3800 Brass | Brass | Brass | Viton |
| MC200, 300, 500 | Brass | Brass | Silicone |
| S1-S2 Slide Valves | Brass | Brass | Nitrile |
| PC | Steel | Steel | Nitrile |
| JC | Steel | Steel | Poly-U. |
| U2/U3 | Aluminium | AL | Nitrile |

Limited Warranty

TOMCO PRODUCTS warrants for a full period of 365 days after delivery that: (1) all TOMCO catalog goods sold will conform to the specifications set forth in the Company's current printed catalog and (2) all specialty manufactured custom ordered goods conform to written plans and/or specifications furnished by Buyer and approved by TOMCO PRODUCTS. THE AFORESAID ARE THE SOLE WARRANTIES GIVEN BY TOMCO PRODUCTS, AND THERE ARE NO OTHER WARRANTIES, EXPRESSED, IMPLIED, OR STATUTORY, INCLUDING WARRANTIES OF MERCHANTABILITY AND FITNESS FOR USE, WHICH EXTEND BEYOND THE AFORESAID WARRANTIES.

LIMITATION OF REMEDY

BUYER'S SOLE REMEDY FOR ALL ALLEGED BREACH OF ANY OF THE COMPANY'S WARRANTIES OR OBLIGATIONS HEREUNDER, SHALL BE AT TOMCO PRODUCTS

SOLE OPTION TO: (A) REPLACE OR REPAIR ANY DEFECTIVE OR NON-CONFORMING GOODS, (B) CREDIT BUYER'S ACCOUNT FOR SO MUCH OF THE PURCHASE PRICE AS IT RELATES TO ANY DEFECTIVE OR NON-CONFORMING GOODS, (C) REFUND TO BUYER THE PURCHASE PRICE FOR ANY DEFECTIVE OR NON-CONFORMING GOODS.

LIMITATION OF LIABILITY

TOMCO PRODUCTS LIABILITY WITH ANY RESPECT TO ANY BREACH HEREUNDER OR RELATING TO ANY GOODS SOLD PURSUANT HERETO, SHALL BE LIMITED TO THE AMOUNT PAID BY THE BUYER FOR ANY DEFECTIVE OR NON-CONFORMING GOODS. UNDER NO CIRCUMSTANCES SHALL TOMCO PRODUCTS BE LIABLE FOR ANY INCIDENTAL OR CONSEQUENTIAL DAMAGES OR FOR ANY CLAIMS FOR LOST PROFITS.

Terms and Conditions

Price and Quotations - Prices are subject to

change without notice, but such change shall not affect orders already accepted. Quotations are valid for a maximum of 30 days.

Minimum Charge - Minimum billing on any order is \$25.00 (US funds).

Design - TOMCO PRODUCTS reserves the right to alter specifications, prices, and/or dimensions without notice. Seller assumes no responsibility for revisions of models already supplied.

Returned Goods - No purchases shall be accepted for return for any reason unless our prior written authorization has been obtained. All returns are subject to handling charges. All returns must be shipped prepaid.

Sellers sole remedy is to credit buyers account.

Cancellations - Deviations from catalog items cannot be cancelled.

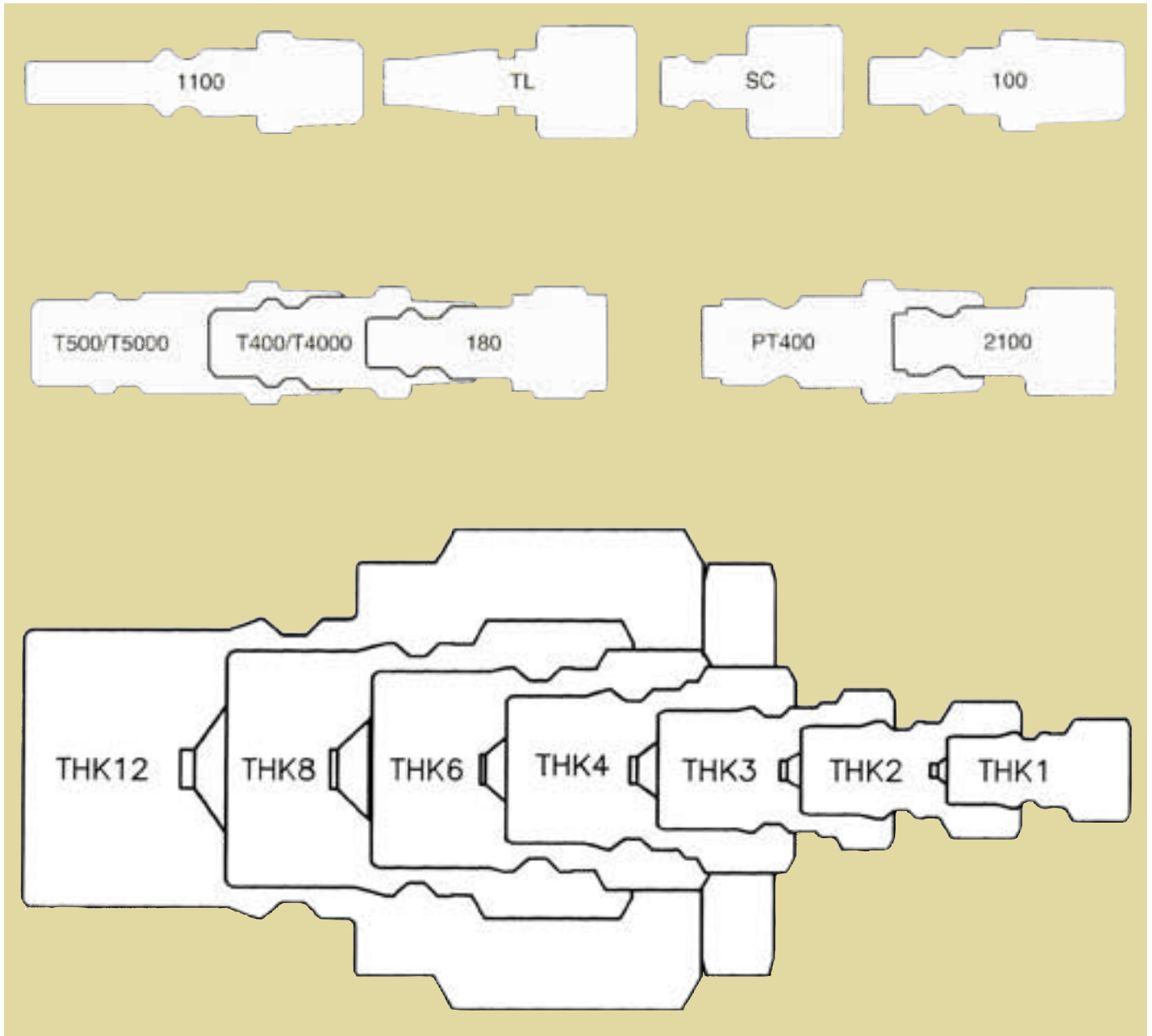
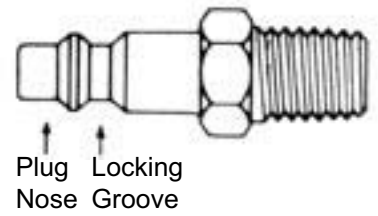
Terms of Payment - 1% 10 days, net 30 days, F.O.B. Spartanburg, SC

Plug Profiles

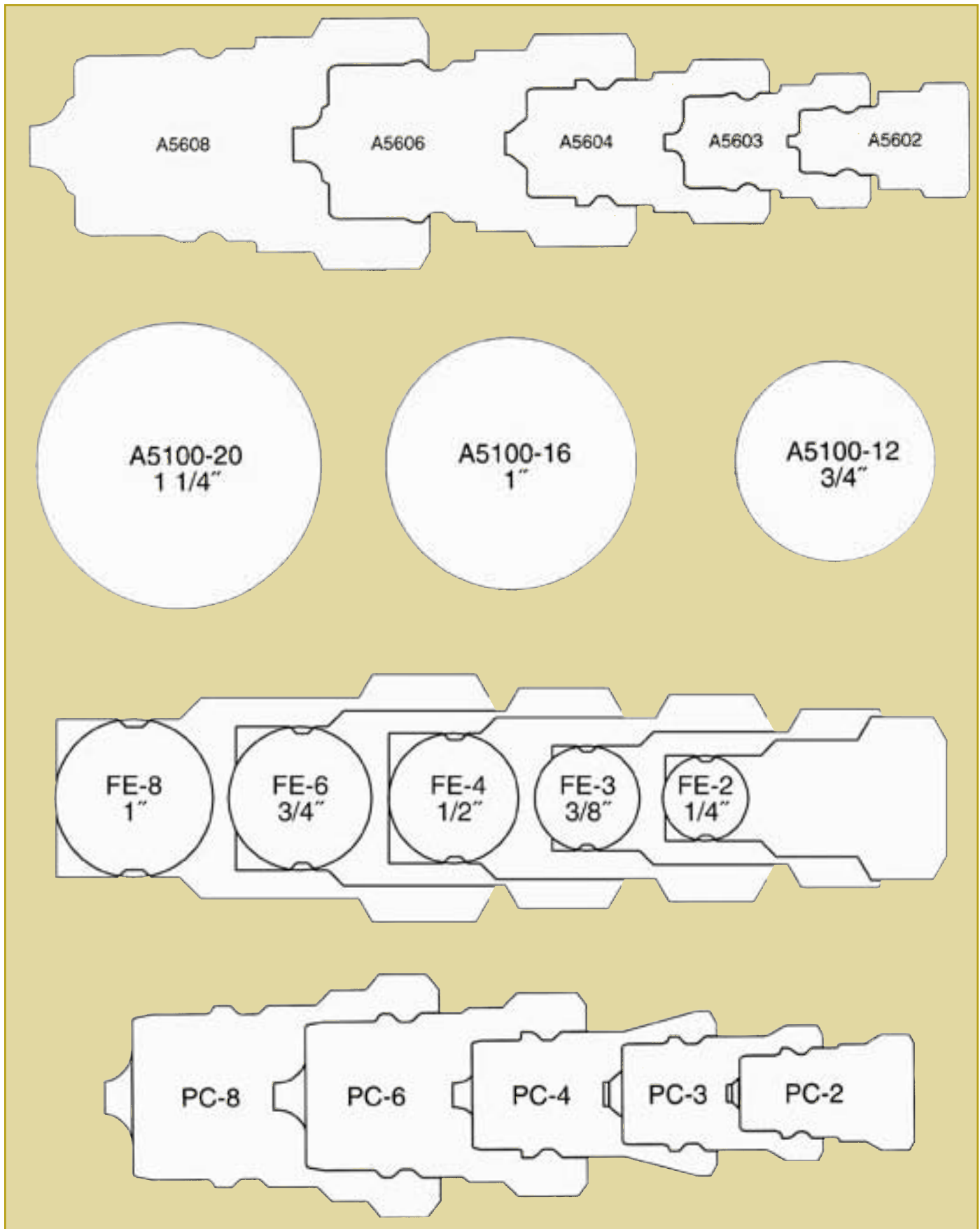
Plug Profile Chart

Actual Size Profiles for Identifying Plugs

The coupler type is identified by the plug style. Key features are the length of the nose and the type of locking groove. The profiles on these pages illustrate the most popular styles.



Plug Profiles



Plug Profiles

