



Introducing Tomorrow's Technology Today

Over three decades of integrated hose reel design incorporated into today's Reelmaster hose reels. Design technology and low cost manufacturing produce today's best in quality hose reels.

Double pedestal side supports and hose guide arms

- Reel is supported on both sides gusset reinforced pedestals and arms.
- The pedestal arms stay rigid - no bending, even when the hose is pulled at an angle.
- Less vibration, less bending - longer life.
- Hose is guided on both sides, without side to side bending - less wear and tear on both reel and hose.
- Guide arms are adjustable to any of three different mounting positions to provide the ideal configuration for wall, ceiling, floor, pit or truck mounting.



Heavy-Duty construction

- Heavy gauge plate steel.
- Welded, with gussets, for additional strength and rigidity. Hardened shaft and corrosive proof swivel
- Extended leak-proof seal life.

Full flow porting

- Fully ported hub-no flow restrictions. Maximum fluid delivery for faster dispensing.

Permanently lubricated bearings

- Positive reel recoil every time.
- Reduced maintenance, less downtime.
- Prolongs reel life.

Compact narrow design

- Engineered to save installation space.

Heavy-Duty latch mechanism

- Non sparking.
- Positive, audible, hose position lock

Trouble free floating reel spring

- Enclosed spring.
- Complete canister can be removed and replaced.
- No accidental fly-back damage.

Conical hose stopper

- To avoid striking against other objects. Sinterized powder coated
- High resistance against wear.

Parts and labor warranty

- Industry's finest warranty



Standard Capacity 1400 Series

1400 Series heavy duty, quality hose reel engineered to save space

Holds up to 40' 1/2" Hose

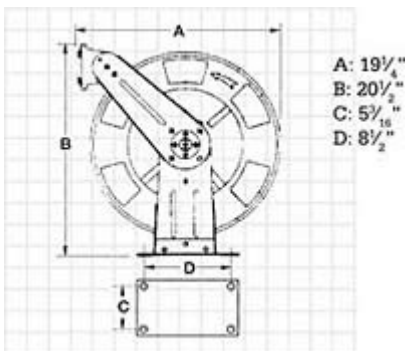
For 1/4", 3/8" and 1/2" I.D. Hose

Swivel inlet: 1/2" NPT (F) Low pressure
 1/2" NPT (F) Medium pressure
 1/4" NPT (F) High pressure

Heavy Duty Design

The narrow design and easily rotated guide arm virtually solves all installation problems.

Shown with inlet hose - order extra



Reel Model	Length	Hose I.D.	Model
Low pressure - Air, water			
1409	25'	3/8"	816
1411	30'	3/8"	817
1413	40'	3/8"	818
1415	30'	1/2"	826
1417	40'	1/2"	828
1401	Reel only w/swivel (1000 PSI)—no hose		

Medium pressure - Oils, fluids

1 - Wire braid hose (2000 PSI)			
1420	25'	3/8"	838
1424	30'	3/8"	839
1425	40'	3/8"	841
1422	25'	1/2"	850
1428	30'	1/2"	851
1426	40'	1/2"	853
1402	Reel only w/swivel (3000 PSI)–no hose		

High pressure - Grease			
2 - Wire braid hose (5000 PSI)			
1430	25'	1/4"	875
1431	30'	1/4"	876
1432	40'	1/4"	878
1434	30'	3/8"	889
1435	40'	3/8"	891
1403	Reel only w/swivel (8000 PSI)–no hose		

Specialty	
1499	Reel only w/H.P. Hot water swivel 3/8" NPT (F) – no hose



Extra Heavy Duty Design

1650 Series

- Welded base and dual side support construction.
- Heavier, thicker gauge steel. 50% heavier than our standard capacity series reels.
- Dual adjustable outlet arms. Extra strength tie bar construction.
- Heavy duty roller outlet. Assembled of 3 plates of steel.
- Easy to mount. Same bolt hole pattern as our standard capacity series reels.

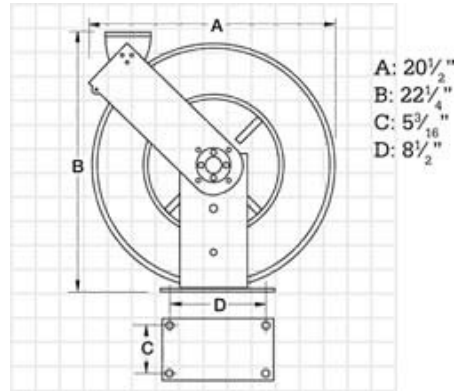
Holds up to 60' 1/2" I.D. Hose

For use with 1/4", 3/8" and 1/2" I.D. Hose

Swivel inlet: 1/2" NPT (F) Low pressure

1/2" NPT (F) Medium pressure

1/4" NPT (F) High pressure



Reels include inlet swivel, models with hose, include hose stop. 60' models recommended for ceiling mount use.

Low Pressure - Air, Water

Reel Model	Hose Model	Length	Hose I.D.	P.S.I.	Hose Stop	Notes
1660	819	50'	3/8"	300	2024	Complete Assembly
1661	820	60'	3/8"	300	2024	Complete Assembly
1663	829	50'	1/2"	300	2026	Complete Assembly
1665	830	60'	1/2"	300	2026	Complete Assembly
1651	Reel only with swivel - (3000 PSI) - no hose					

Medium Pressure - Oils, Fluids

Reel Model	Hose Model	Length	Hose I.D.	P.S.I.	Hose Stop	Notes
1672	842	50'	3/8"	3000	2024	Complete Assembly
1673	843	60'	3/8"	3000	2024	Complete Assembly
1674	854	50'	1/2"	2500	2026	Complete Assembly
1676	855	60'	1/2"	2500	2026	Complete Assembly
1652	Reel only with swivel - (3000 PSI) - no hose					

High Pressure - Grease

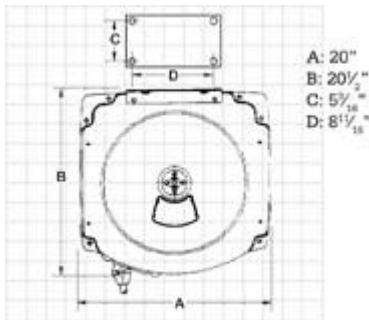
Reel Model	Hose Model	Length	Hose I.D.	P.S.I.	Hose Stop	Notes
1680	879	50'	1/4"	5000	2022	Complete Assembly
1681	880	60'	1/4"	5000	2022	Complete Assembly
1682	892	50'	3/8"	4000	2024	Complete Assembly
1683	893	60'	3/8"	4000	2024	Complete Assembly
1653	Reel only with swivel - (3000 PSI) - no hose					

High Pressure - Grease

1699	Reel only with swivel - (3000 PSI) - no hose					
------	--	--	--	--	--	--

Enclosed 1700 Series

1700 Series - Quality Hose Reels



Heavy Duty designed

- Heavy duty corrosion proof aluminum case.
- Gusset reinforced case for additional strength and rigidity.
- Sinterized powder coated, high resistance against wear.

Hardened brass shaft & corrosion proof swivel

- Extended leak proof seal life.
- Heavy duty latch mechanism.

Easy maintenance

- Worn hoses can easily be replaced through service window, without dismounting the reel.
- Spring load adjustment does not require reel dismounting.
- Trouble free spring and hub-sealed cassette, complete canister can be removed and replaced.

Ergonomic design

- Product supply is at hand reach without interfering with the user.
- Smooth operation in each mounting position.
- Narrow design and easily positionable mounting bracket virtually solves all installation needs.

Reels include inlet swivel, models with hose include hose stop.

Reel Model	Length	Hose I.D.	Model
Low pressure - Air, water			
1711	25'	3/8"	816
1713	30'	3/8"	817
1715	40'	3/8"	818
1754	50'	3/8"	819
1717	30'	1/2"	826
1755	40'	1/2"	828
1751	Reel only w/swivel – no hose		

Medium pressure - Oils, fluids

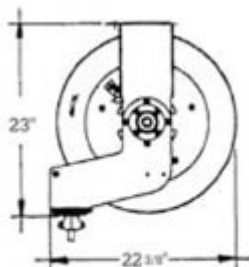
1 - Wire braid hose (2000 PSI working)

1722	20'	3/8"	837
1724	30'	3/8"	839
1726	40'	3/8"	841
1756	50'	3/8"	842
1728	30'	1/2"	851
1757	40'	1/2"	853
1752	Reel only w/swivel – no hose		

High pressure - Grease

2 - Wire braid hose (5000 PSI working)

1732	20'	1/4"	874
1733	30'	1/4"	876
1734	40'	1/4"	878
1758	50'	1/4"	879
1735	20'	3/8"	887
1736	30'	3/8"	889
1737	40'	3/8"	891
1759	50'	3/8"	892
1753	Reel only w/swivel (8000 PSI)–no hose		



Base is 9" wide and 10" deep

Heavy Duty 3/4" Hose Reel

Model 7500

Heavy Duty Design

- Dual pedestal base and dual guide arms with extra strength tie bar construction.
- HD Steel with powder coat finish
- Full flow porting
- HD 3/4" MP swivel
- Lifetime lubricated all metal babbitt type bearings
- Adjustable outlet arms

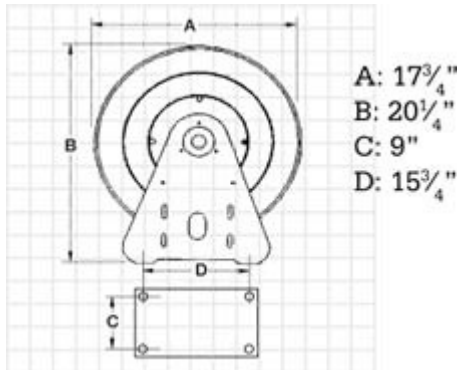
Model	Description
7500*	3/4" HD Reel only w/ Swivel and Hose stop
7550	7500 w/ 50' 3/4" MP Hose w/ Hose stop
7575	7500 w/ 75' 1/2" MP Hose w/ Hose stop
7585	7500 w/ 75' 1/2" LP Hose w/ Hose stop

*77 Bar (1100 psi) max working pressure. Comes SR (side roller) mount. Can be indexed for ceiling mount. Same bolt hole mounting pattern as our standard reels.

Manual Rewind



1800 Series



1800 Series

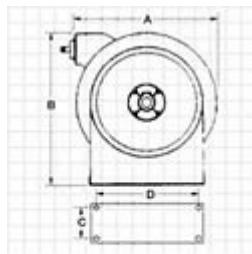
- Unitized construction: Drum, spool and frame all fabricated of heavy gauge steel. No welds. All bolted construction with self-locking, vibration-proof fasteners.
- Locking spool prevents rotation when not in use
- Permanent lubricated dual main bearings
- Full flow swivel and shaft for max delivery
- Nickel-plated swivel with viton "O" ring seals
- Adjustable drag for dereeling

Model	Hose Capacity	Operating Pressure	Inlet
1803	200' of 1/2" I.D.	1000 PSI	1/2"
1805	100' of 3/4" I.D.	1000 PSI	3/4"

Dual hose oxygen-acetylene reels



Model 1852



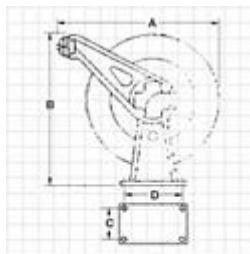
1850 Series

- Dual swivel body made from aluminum, coated for resistance, designed for positive separation of gases.
- Special molded, double sealed "O" rings prevent leakage.
- Inlet and swivel body identified with grooves on the acetylene side assures proper installation.
- Hose supplied is Twin-Siamese type meeting R.M.A. and C.G.A. type V.D., grade RM specifications. Use of other types is not recommended.

Model	Twin Hose	P.S.I.
1852	25' 1/4"	200
1854	50' 1/4"	200



Model 1854



Twin Inlet (order extra)

899	2' 1/4"	200
-----	---------	-----

Electric Cord Reels



Model 3173

Model 3173

Power supply reel with 30' retractable 3 outlet power supply cord.



Model 3174

Model 3173

Power supply reel with 30' retractable 3 outlet power supply cord. Features include 3-wire cord for positive grounding of electrical tools, and one piece molded plugs for added safety. Includes necessary hardware for wall or ceiling mounting. Fits all standard grounded electrical outlets. 16/3 cord rated 10 amps.

Model 3174

Automatic retractable trouble light with built-in safety switch. Light turns on when cord is pulled out. Shuts off when cord is fully retracted. Safety switch shuts off current at power source...no switch or tool tap in handle. Bulb guard insulated to prevent sparking. 40' cord length. 18/2 cord. Stubby light.

Model 3171 (not shown, similar to 3174)

40' stubby light reel with tool tap in handle.

Model 3172 (not shown, similar to 3174)

30' stubby light reel with switch in handle.

Model 3175

Similar to 3172, except 50' 18/2 cord with switch in handle.

Heavy Duty Electric Cord Reel



Model 4040

Model 4040

Double power supply reel. All models have two outlets in a rugged metal enclosure, with spring loaded protective covers over the outlets. Box is grounded. Water tight strain relief bushing on all models where reel cord enter top of box. 115 volt, 60 hz, single phase, 20 amp. Adjustable guide arm, allows wall, ceiling, or bench mounting. Industrial type collector ring transfers stationary

power to the rotating reel cord. 6' inlet power cord with ground plug. 40' oil resistant type SJTO/SJTOW-A, three conductor 14/3 cord.

Economy Low Pressure (Air/Water) Reel

Model 3199

Reel complete with 25' 1/4" L.P. Hose, hose stop, and mounting bracket. High impact polypropylene reel with 25' 1/4" L.P. Hose. Heavy duty steel mounting bracket, adjustable for bench, wall, floor, or ceiling mount. Mounting bracket may be set for swivel or rigid mount. Ratchet may be un-locked for constant retraction.



Model 3199