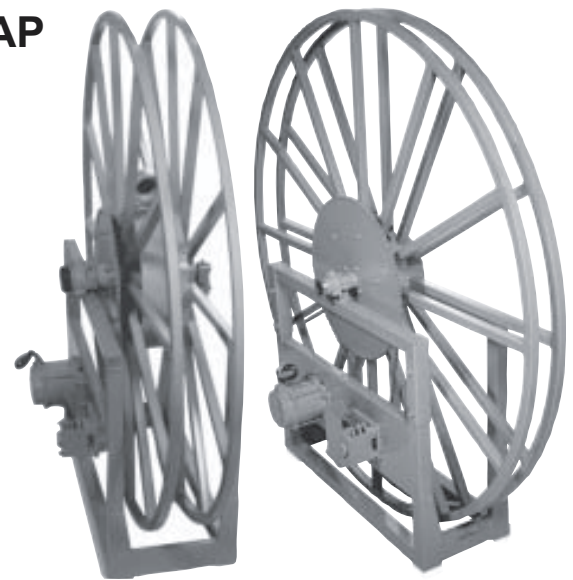


# POWER OR MANUAL REWIND REELS

## PETROLEUM SERVICE - SINGLE WRAP SERIES 6000

1 1/2", 2" or 3" Fluid Path For  
1" through 3" I.D. Hose



**REWIND:** Choose **NORDIC** chain and sprocket drive powered by A.C. or D.C. electric motor, compressed air motor or hydraulic motor.

**INLET:** 2" victaulic is standard 90° swivel joints may be specified at no extra cost.

**GOOSENECK:** 1", 1 1/4", 1 1/2" or 2" female/male NPT is available. Specify male/female fitting & hose size when ordering.

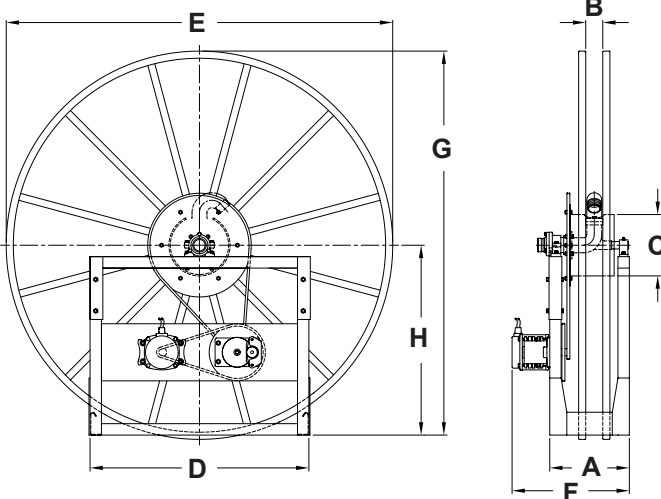
**NOTE:** 3" Straight victaulic inlet and 3" female NPT gooseneck are standard on 3" reels.

**Product Temperatures** from -80° to +450°F, and standard pressures to 300 p.s.i. Other temperatures or pressures can be furnished at extra cost. Consult factory.

**BRAKES AND LOCKS:** Air operated caliper brake and idler assembly is standard. Manual friction brake optional.

**MATERIALS:** Standard frame and spool assembly are of heavy duty steel construction. Also available in aluminum.

*The standard color for this series is grey.*



I D	Hose Capacity of Reel in Feet and Meters							MODEL NO.	Reel Dimensions in Inches and <i>Millimeters</i>								Approx Net Weight	
	in	1	1 1/4	1 3/8	1 1/2	2	2 1/2		3	A	B	C	D	E	F	G		H
	mm	25	32	35	38	51	64	76										
	in	1 9/16	1 13/16	2	2 1/16	2 9/16	3 3/16	3 3/4										
	mm	40	46	51	52	65	81	95										
Hose Capacity of Reel in Feet and Meters	ft	80	75	70	60				6000-47-2	14	2.5	10 3/4	38 1/2	47	21	48 1/2	25	300 LB
	m	24	23	21	18					356	64	273	978	1194	533	1232	635	136 KG
	ft	120	100	100	80				6000-55-2	14	2.5	10 3/4	38 1/2	55	21	55 3/4	28 1/4	350 LB
	m	37	30	30	24					356	64	273	978	1397	533	1416	718	159 KG
	ft	180	150	150	130				6000-68-2	14	2.5	10 3/4	38 1/2	68	21	67 1/4	33 1/4	400 LB
	m	55	46	46	40					356	64	273	978	1727	533	1708	845	181 KG
	ft					45			6000-47-3	14	3	15	38 1/2	47	21	48 1/2	25	305 LB
	m					14				356	76	381	978	1194	533	1232	635	138 KG
	ft					60			6000-55-3	14	3	15	38 1/2	55	21	55 3/4	28 1/4	355 LB
	m					18				356	76	381	978	1397	533	1416	718	161 KG
	ft					100			6000-68-3	14	3	15	38 1/2	68	21	68 3/4	34 3/4	405 LB
	m					30				356	76	381	978	1727	533	1746	883	184 KG
	ft						50	40	6000-55-5	14	5	20	38 1/2	55	21	55 3/4	28 1/4	370 LB
	m						15	12		356	127	508	978	1397	533	1416	718	168 KG
	ft						80	70	6000-68-5	14	5	20	38 1/2	68	21	68 3/4	34 3/4	410 LB
	m						24	21		356	127	508	978	1727	533	1746	883	186 KG