

# SPRING REWIND REELS

## SERIES 3100

1/2", 3/4" or 1" Fluid Path For  
1/4" through 1" I.D. Hose

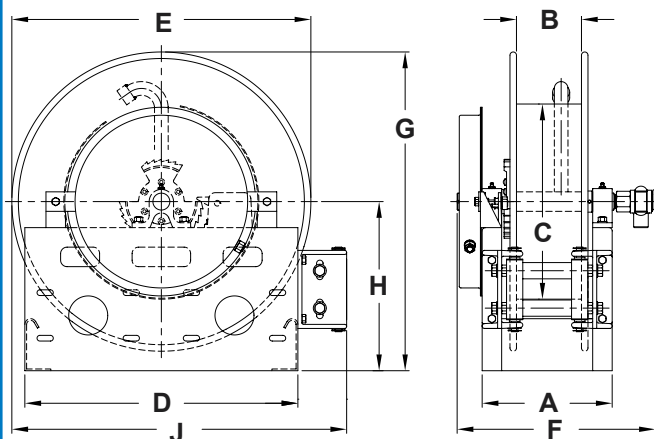
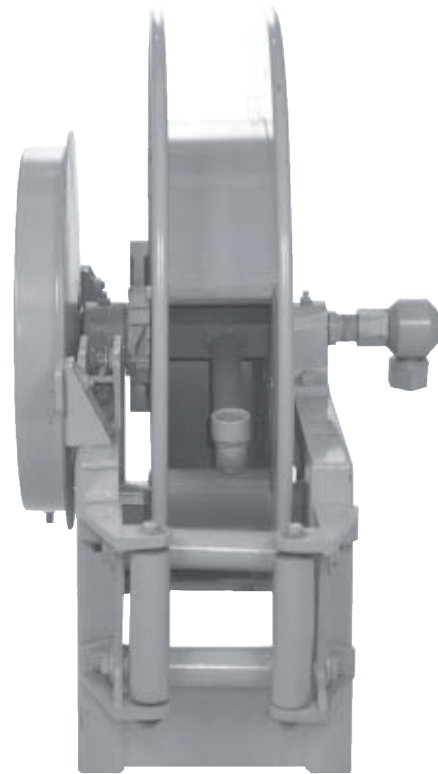
**INLET:** 1/2" up to 1" female/male NPT 90° swivel joint.

**GOOSENECK:** 1/2" up to 1" female/male NPT.

**NOTE:** Other sizes and/or threads can be furnished for gooseneck when specified.

Product temperatures from -20° to +225°F and standard pressures to 1000 p.s.i. Reels to operate at other temperatures or pressures can be furnished at extra cost. Consult factory.

**ROLLER POSITION:** You must specify roller position BW, VW or TW. If roller position is not specified, reels will be shipped with rollers in POSITION BW. (SEE PAGE 7 FOR DETAILED INFORMATION.)



**HOSE STOP:** A hose stop should be used to prevent damage to rollers and nozzles and to permit adjustment of free hose length. See description on page 30. Hose stops are available at extra cost.

**NOTE:** Series 3101 reels use a stronger spring assembly for heavy duty applications.

*The standard color for both of these series is grey.*

I.D.							MODEL NO.	Reel Dimensions in Inches and <i>Millimeters</i>							Approx Net Weight		
	in	1/4	3/8	1/2	3/4	1		A	B	C	D	E	F	G		H	J
DO	in	5/8	3/4	7/8	1 9/32	1 9/16											
	mm	16	19	22	33	40											
Hose Capacity of Reel in Feet and Meters	ft	40	40	30			3100-19-4	9	4	11 1/4	21	19	15	22 1/2	13	25	85 LB
	m	12	12	9				229	102	286	533	483	381	572	330	635	39 KG
	ft	50	50	50			3100-23-4	9	4	15	21	23	15	24 1/2	13	26	88 LB
	m	15	15	15				229	102	381	533	584	381	622	330	660	40 KG
	ft	75	75	60			3100-23-5	10	5	15	21	23	16	24 1/2	13	26	89 LB
	m	23	23	18				254	127	381	533	584	406	622	330	660	40 KG
	ft	90	90	90			3100-25-6	11	6	20	21	25	17	26 1/2	14	27	90 LB
	m	27	27	27				279	152	508	533	635	432	673	356	686	41 KG
	ft			30	25	15	3101-19-4	9	4	11 1/4	21	19	15 1/2	22 1/2	13	25	90 LB
	m			9	8	5		229	102	286	533	483	394	572	330	635	41 KG
	ft			60	40	25	3101-23-4	9	4	11 1/4	21	23	15 1/2	24 1/2	13	26	93 LB
	m			18	12	8		229	102	286	533	584	394	622	330	660	42 KG
ft			100	65	60	3101-23-6	11	6	11 1/4	21	23	17 1/2	24 1/2	13	26	95 LB	
m			30	20	18		279	152	286	533	584	445	622	330	660	43 KG	
ft			100	65	60	3101-23-8	13	8	11 1/4	21	23	19 1/2	24 1/2	13	26	97 LB	
m			30	20	18		330	203	286	533	584	495	622	330	660	44 KG	