

# POWER OR MANUAL REWIND REELS

## SERIES 5900

3" or 4" Fluid Path For  
2" through 4" I.D. Hose



**REWIND:** Choose **NORDIC** gear-drive crank rewind or chain and sprocket drive powered by A.C. or D.C. electric motor, compressed air motor or hydraulic motor.

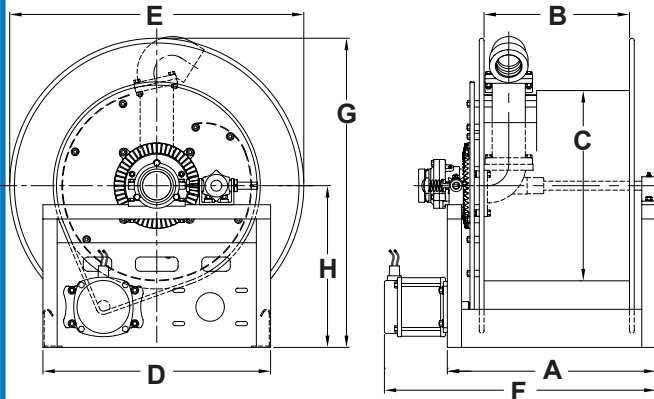
**INLET:** 3" straight victaulic is standard. 90° victaulic swivel joint available at extra cost.

**GOOSENECK:** 3" female NPT. *Other sizes and/or threads can be furnished and must be specified.*

**NOTE:** 4" x 90° victaulic inlet, 4" female NPT gooseneck and 24" dia. drum are standard on 4" reels.

Product temperatures from -80° to +450°F and standard pressures to 300 p.s.i. Other temperatures or pressures can be furnished at extra cost. Consult factory.

*The standard color for this series is grey.*



<b>Note: Weights shown in chart are for crank rewind models. Add these amounts and model number prefix for power rewind models.</b>	<b>prefix type</b>	<b>lb / kg</b>
	EP electric	42 / 19
	A air	26 / 12
	H hyd	26 / 12

ADD 12" to E dimension when crank is in rewind position.

I D	in	2	2 1/2	3	4	MODEL NO.	Reel Dimensions in Inches and <i>Millimeters</i>																Approx Net Weight
							A	B	C	D	E	E	E	E	F	F	F	F	G	H			
																					mm	mm	
Hose Capacity of Reel in Feet and Meters	mm	51	64	76	102	5900-31-16	22	16	20	21	31	31	31	31	26	29	26	28	32 1/2	17	140 LB		
	m	17	6	5			559	406	508	533	787	787	787	787	660	737	660	711	826	432	41 KG		
	ft	55	20	15		5900-31-24	30	24	20	21	31	31	31	31	34	37	34	36	32 1/2	17	150 LB		
	m	26	9	8			762	610	508	533	787	787	787	787	864	940	864	914	826	432	42 KG		
	ft	120	45	35		5900-31-32	38	32	20	21	31	31	31	31	42	45	42	44	32 1/2	17	160 LB		
	m	37	14	11			965	813	508	533	787	787	787	787	1067	1143	1067	1118	826	432	39 KG		
	ft	60	30	30		5900-36-12	18	12	20	21	36	36	36	36	22	25	22	24	39	21	146 LB		
	m	18	9	9			457	305	508	533	914	914	914	914	559	635	559	610	991	533	42 KG		
	ft	90	50	40	12	5900-36-16	22	16	20	21	36	36	36	36	26	29	26	28	39	21	150 LB		
	m	27	15	12	4		559	406	508	533	914	914	914	914	660	737	660	711	991	533	43 KG		
	ft	90	50	35	15	5900-39-12	18	12	20	21	39	39	39	39	22	25	22	24	40 1/2	21	180 LB		
	m	27	15	11	5		457	305	508	533	991	991	991	991	559	635	559	610	1029	533	45 KG		
	ft	135	80	50	15	5900-39-16	22	16	20	21	39	39	39	39	26	29	26	28	40 1/2	21	200 LB		
	m	41	24	15	5		559	406	508	533	991	991	991	991	660	737	660	711	1029	533	47 KG		
	ft	200	120	65	25	5900-39-24	30	24	20	21	39	39	39	39	34	37	34	36	40 1/2	21	210 LB		
	m	61	37	20	8		762	610	508	533	991	991	991	991	864	940	864	914	1029	533	50 KG		