

POWER OR MANUAL REWIND REELS

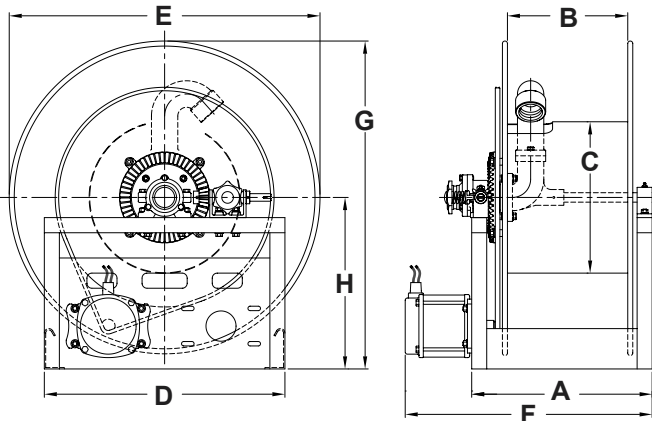
SERIES 3700

2" Fluid Path For
1 1/2" through 2" I.D. Hose

REWIND: Choose **NORDIC** gear-drive crank rewind, or chain and sprocket drive powered by A.C. or D.C. electric motor, compressed air motor or hydraulic motor.

INLET: 2" straight victaulic is standard. 2" male NPT straight swivel joint may be specified at no extra cost. 2" victaulic 90° available at extra cost.

GOOSENECK: 2" female/male NPT. *Other sizes and/ or threads can be furnished and must be specified.*



Product temperatures from -80° to +450°F and standard pressures to 300 p.s.i. Other temperatures or pressures can be furnished at extra cost. Consult factory.

The standard color for this series is grey.

Note: Weights shown in chart are for crank rewind models. Add these amounts and model number prefix for power rewind models.	prefix	type	lb / kg
	EP	electric	42 / 19
	A	air	26 / 12
	H	hyd	26 / 12

ADD 12" to E dimension when crank is in rewind position.

Hose Capacity of Reel in Feet and Meters	D		MODEL NO.	Reel Dimensions in Inches and <i>Millimeters</i>												Approx Net Weight		
	in	mm		A	B	C	D	E	E	E	E	F	F	F	F		G	H
	mm	mm																
ft	1 1/2	38	3700-23-20	26	20	15	21	23	23	24	23	30	33	30	32	24 1/2	13	114 LB
	2	51		660	508	381	533	584	584	610	584	762	838	762	813	622	330	52 KG
m	2 1/16	52	3700-25-20	26	20	15	21	25	25	25	25	30	33	30	32	26 1/2	14	124 LB
	2 9/16	65		660	508	381	533	635	635	635	635	762	838	762	813	673	356	56 KG
ft	80	65	3700-25-24	30	24	15	21	25	25	25	25	34	37	34	36	26 1/2	14	128 LB
	24	20		762	610	381	533	635	635	635	635	864	940	864	914	673	356	58 KG
ft	115	90	3700-25-32	38	32	15	21	25	25	25	25	42	45	42	44	26 1/2	14	136 LB
	35	27		965	813	381	533	635	635	635	635	1067	1143	1067	1118	673	356	62 KG
ft	90	50	3700-31-12	18	12	15	21	31	31	31	31	22	25	22	24	32 1/2	17	134 LB
	27	15		457	305	381	533	787	787	787	787	559	635	559	610	826	432	61 KG
ft	165	90	3700-31-20	26	20	15	21	31	31	31	31	30	33	30	32	32 1/2	17	142 LB
	50	27		660	508	381	533	787	787	787	787	762	838	762	813	826	432	64 KG
ft	220	125	3700-31-26	32	26	15	21	31	31	31	31	36	39	36	38	32 1/2	17	148 LB
	67	38		813	660	381	533	787	787	787	787	914	991	914	965	826	432	67 KG
ft	225	140	3700-39-16	22	16	15	21	39	39	39	39	26	29	26	28	40 1/2	21	182 LB
	69	43		559	406	381	533	991	991	991	991	660	737	660	711	1029	533	83 KG
ft	350	220	3700-39-24	30	24	15	21	39	39	39	39	34	37	34	36	40 1/2	21	190 LB
	107	67		762	610	381	533	991	991	991	991	864	940	864	914	1029	533	86 KG