



# DESIGNING MOTION



- Low-profile housing
- Low noise level
- Even airflow across width of blower
- Left or right motor position
- Motors can be rotated 90° four ways
- UL- and CSA-approved Class H shaded pole motors
- 120°C auto-reset thermal protection
- Long-life, maintenance-free bearings
- Flexible counter bearing
- Sturdy, corrosion-resistant, galvanized steel housing, aluminium wheel

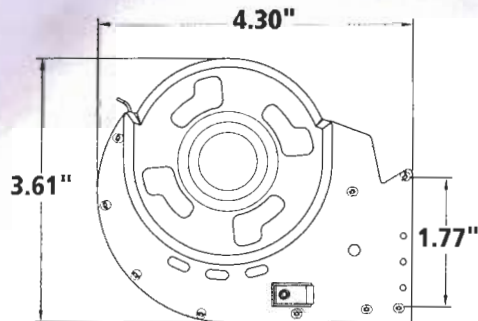
65 mm tangential blowers typically used in manufacturing of gas fireplaces, wood and gas stoves, air cleaners, small heaters, air curtains and refrigerated food displays.



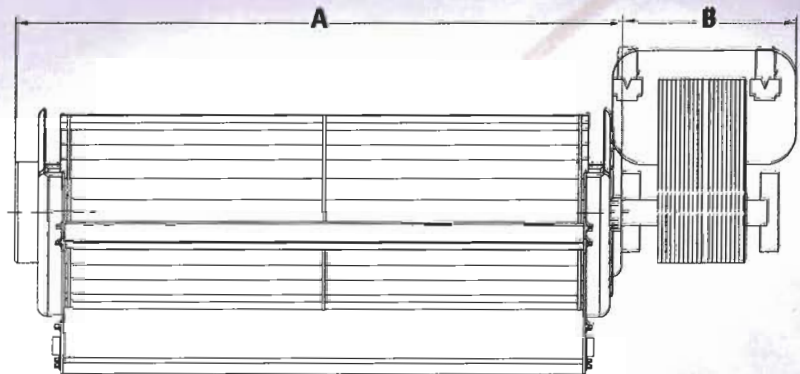
**65 mm TANGENTIAL BLOWERS**

# SPECIFICATIONS

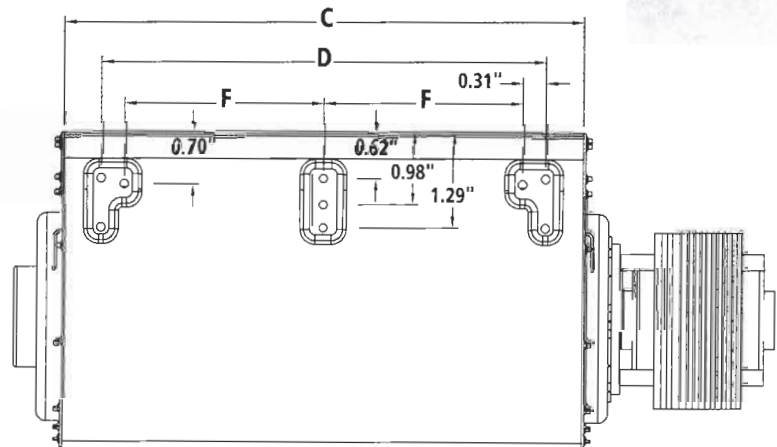
## 65 mm TANGENTIAL BLOWERS



End View



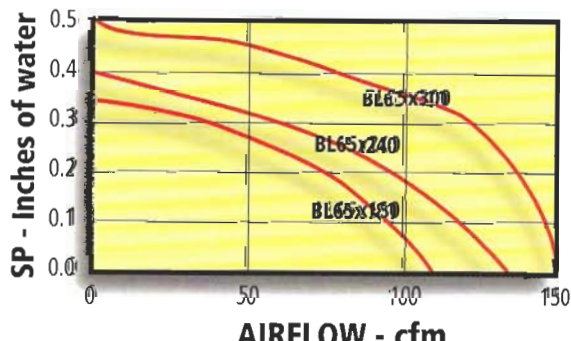
Front View



Bottom View

Dimensions in inches	Model Number			
	BL65x120	BL65x180	BL65x240	BL65x300
<b>A</b>	5.91"	8.27"	10.63"	12.94"
<b>B</b>	2.13"	2.25"	2.25"	2.75"
<b>C</b>	4.72"	7.09"	9.45"	11.81"
<b>D</b>	3.70"	6.06"	8.43"	10.79"
<b>CFM at 0" SP</b>	50 cfm	110 cfm	130 cfm	150 cfm
<b>Max. SP</b>	0.030"	0.034"	0.040"	0.050"

### Performance Curves BL65 Series



Custom blowers can be developed to meet your specific performance requirements.

Please inquire.

