



LARGE FRAME REELS

NORDIC Series 6000

POWER / MANUAL REWIND REELS

PETROLEUM SERVICE - SINGLE WRAP

NORDIC SERIES 6000

1½", 2" or 3" Fluid Path for 1" through 3" I.D. Hose

REWIND: Chain and sprocket drive powered by A.C. or D.C. electric motor, compressed air motor or hydraulic motor.

INLET: 2" victaulic is standard. 90° swivel joints may be specified at no extra cost.

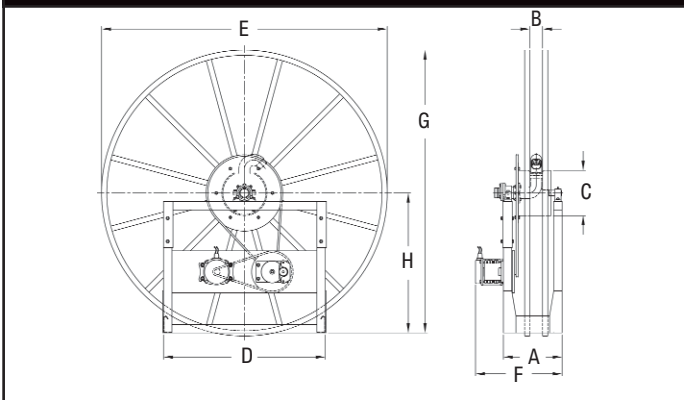
GOOSENECK: 1", 1¼", 1½" or 2" female/male NPT is available. Specify male/female fitting and hose size when ordering.

Product temperatures from -60° to +174°F and standard pressures to 300 p.s.i. Other temperatures or pressures can be furnished at extra cost. Consult manufacturer.



Series 6000

DIMENSIONS DIAGRAM



NOTE: 3" straight victaulic inlet and 3" female NPT gooseneck are standard on 3" reels.

BRAKES AND LOCKS: Air operated caliper brake and idler assembly is standard. Manual friction brake optional.

MATERIALS: Standard frame and spool assembly are of heavy duty steel construction. Also available in aluminum.

The standard color for this series is red or gray.

HOSE I.D.	in	1	1 1/4	1 3/8	1 1/2	2	2 1/2	3	SPECIFICATIONS - HOSE CAPACITY AND REEL DIMENSIONS									
	mm	25	32	35	38	51	64	76		A	B	C	D	E	F	G	H	
HOSE O.D.	in	1 9/16	1 13/16	2	2 1/16	2 9/16	3 3/16	3 3/4										
	mm	40	46	51	52	65	81	95										
MODEL		HOSE LENGTH							EST. WEIGHT		A	B	C	D	E	F	G	H
6000-47-2	ft	80	75	70	60				300 LB	in	13	2	10¾	38½	47	20	48½	25
	m	24	23	21	18				136 KG	mm	330	51	273	978	1194	508	1232	635
6000-55-2	ft	120	100	100	80				350 LB	in	14	2	10¾	38½	55	21	55¾	28¼
	m	37	30	30	24				159 KG	mm	356	51	273	978	1397	533	1416	718
6000-68-2	ft	180	150	150	130				400 LB	in	14	2	10¾	38½	68	21	67¼	33¾
	m	55	46	46	40				181 KG	mm	356	51	273	978	1727	533	1708	845
6000-47-3	ft					45			305 LB	in	13	3	15	38½	47	20	48½	25
	m					14			138 KG	mm	330	76	381	978	1194	508	1232	635
6000-55-3	ft					60			355 LB	in	14	3	15	38½	55	21	55¾	28¼
	m					18			161 KG	mm	356	76	381	978	1397	533	1416	718
6000-68-3	ft					100			405 LB	in	14	3	15	38½	68	21	68¾	34¾
	m					30			184 KG	mm	356	76	381	978	1727	533	1746	883
6000-55-5	ft						50	40	370 LB	in	17	5	20	38½	55	24	55¾	28¼
	m						15	12	168 KG	mm	432	127	508	978	1397	610	1416	718
6000-68-5	ft							80	410 LB	in	17	5	20	38½	68	24	68¾	34¾
	m							24	186 KG	mm	432	127	508	978	1727	610	1746	883

Refer to page 31 to build a complete model number.

USA: 800-444-3134 Europe: +44 (0) 1536 406999
 Canada: 800-268-1756 Asia: 63-45-599-3721

www.reelcraft.com



REELCRAFT

Wind Things Up With Reelcraft

SERIES 3800 / SERIES 6000