

POWER / MANUAL REWIND REELS
NORDIC SERIES 2400

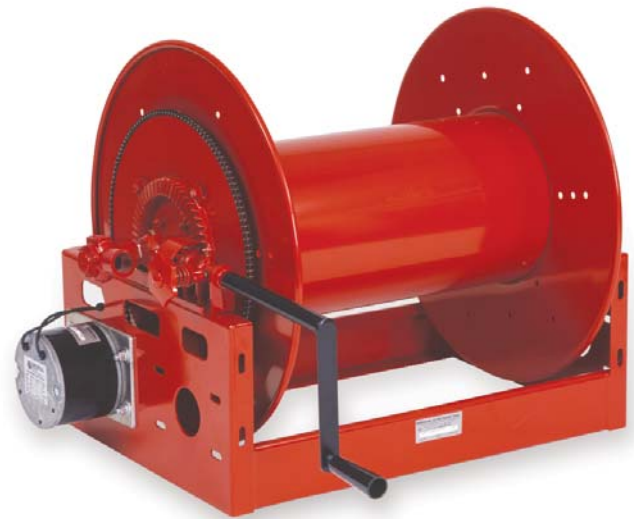
1/2", 3/4" or 1" Fluid Path for 1/2" through 1" I.D. Hose

REWIND: Gear-drive crank rewind or chain and sprocket drive powered by A.C. or D.C. electric motor, compressed air motor or hydraulic motor.

INLET: 1/2" up to 1" female/male NPT 90° swivel joint. Straight swivel joint may be specified at extra cost.

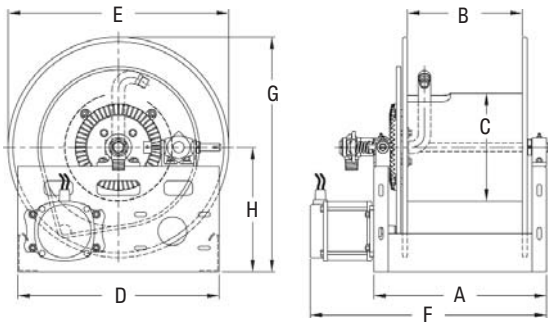
GOOSENECK: 1/2" up to 1" female/male NPT. Other sizes and/or threads, including male NST and male garden hose thread, can be furnished when specified.

Product temperatures from -20° to +225°F and standard pressures to 1000 p.s.i. Reels to operate at other temperatures or pressures can be furnished at extra cost. Consult manufacturer.



Series 2400

DIMENSIONS DIAGRAM



The standard color for this series is red or gray. ADD 12" to E dimension when crank is in rewind position.

Note: Weights shown in chart are for crank rewind models.

Prefix	Type	LB / KG
EP	Electric	42 / 19
A	Air	26 / 12
H	Hyd	26 / 12

Add these amounts and model number prefix for power rewind models.

HOSE I.D.	in	1/2	3/4	1
	mm	13	19	25
HOSE O.D.	in	7/8	1 9/32	1 9/16
	mm	22	33	40

SPECIFICATIONS - HOSE CAPACITY AND REEL DIMENSIONS

MODEL	HOSE LENGTH			EST. WEIGHT	A	B	C	D	E CRK	E ELC	E AIR	E HYD	F CRK	F ELC	F AIR	F HYD	G	H	
2400-19-15	ft	200	100	50	70 LB	21	15	11 1/4	21	21	22	21	25	28	25	27	22 1/2	13	
	m	61	30	15	31 KG	533	381	286	533	533	559	533	635	711	635	686	572	330	
2400-23-14	ft	315	150	100	74 LB	20	14	11 1/4	21	23	23	24	23	27	24	26	24 1/2	13	
	m	96	46	30	34 KG	508	356	286	533	584	584	610	584	610	686	610	660	622	330
2400-23-18	ft	485	240	150	78 LB	24	18	11 1/4	21	23	23	24	23	28	31	28	30	24 1/2	13
	m	148	73	46	35 KG	610	457	286	533	584	584	610	584	711	787	711	762	622	330
2400-23-20	ft	535	260	165	80 LB	26	20	11 1/4	21	23	23	24	23	30	33	30	32	24 1/2	13
	m	163	79	50	36 KG	660	508	286	533	584	584	610	584	762	838	762	813	622	330
2400-23-24	ft	625	300	200	84 LB	30	24	11 1/4	21	23	23	24	23	34	37	34	36	24 1/2	13
	m	191	91	61	38 KG	762	610	286	533	584	584	610	584	864	940	864	914	622	330
2400-25-8	ft	235	125	60	72 LB	14	8	11 1/4	21	25	25	25	25	18	21	18	20	26 1/2	14
	m	72	38	18	33 KG	356	203	286	533	635	635	635	635	457	533	457	508	673	356
2400-25-14	ft	450	225	110	74 LB	20	14	11 1/4	21	25	25	25	24	27	24	26	26 1/2	14	
	m	137	69	34	34 KG	508	356	286	533	635	635	635	610	686	610	660	673	356	
2400-31-8	ft	435	185	125	74 LB	14	8	11 1/4	24	31	31	31	31	18	21	18	20	32 1/2	17
	m	133	56	38	34 KG	356	203	286	610	787	787	787	787	457	533	457	508	826	432
2400-31-10	ft	540	235	165	76 LB	16	10	11 1/4	24	31	31	31	31	20	23	20	22	32 1/2	17
	m	165	72	50	35 KG	406	254	286	610	787	787	787	787	508	584	508	559	826	432
2400-31-16	ft	900	400	300	80 LB	22	16	11 1/4	24	31	31	31	31	26	29	26	28	32 1/2	17
	m	274	122	91	36 KG	559	406	286	610	787	787	787	787	660	737	660	711	826	432

USA: **800-444-3134** Europe: **+44 (0) 1536 406999**
Canada: **800-268-1756** Asia: **63-45-599-3721**

www.reelcraft.com

Models listed with an icon can be shipped same day upon request when the order is received by 11:30 AM local time for quantities of 5 or fewer.

